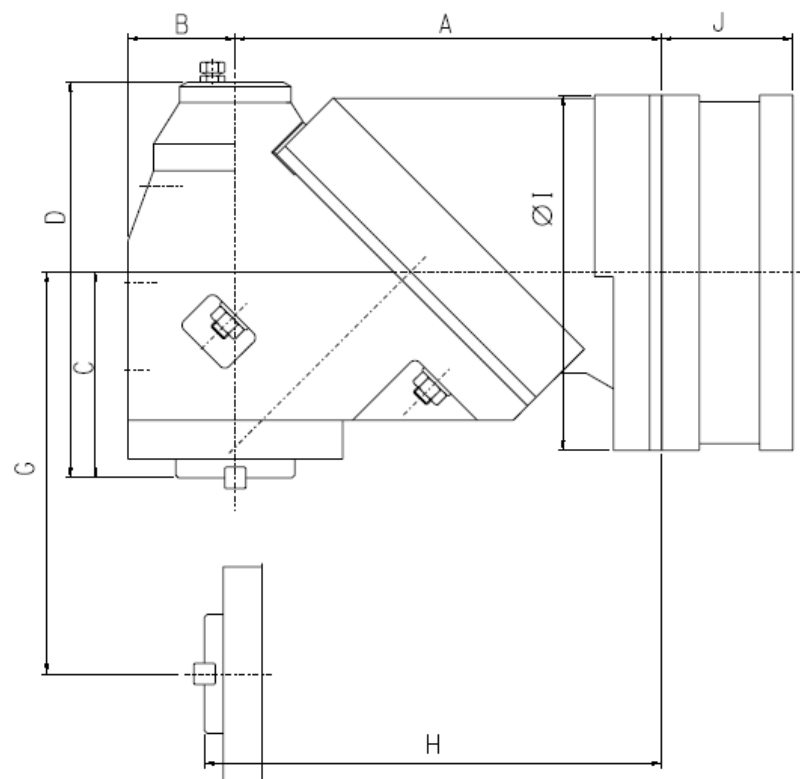


► Technical specifications

- Manual tool clamping.
- Bodies arranged at 45° with respect to each other.
- Spindles and gears are made of case-hardened and tempered chrome-nickel.
- Tool taper DIN-2080.

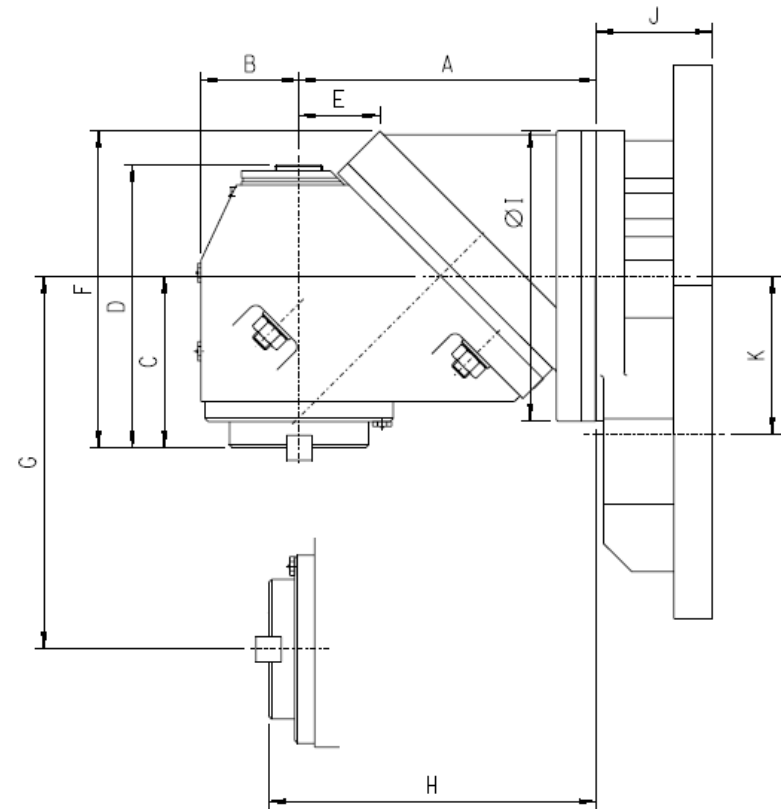
MODELO	ISO	HP CV	MAX. RPM	A	B	B	D	E	F	G	H	O I	J	K	PESO
V-5	50	35	3000	417	108,5	266,25	341,5	161	418,25	236	447,25	380			260



► Technical specifications

- Automatic clamping of the tool, driven by a hydro-mechanical system a
- Spindles and gears are made of case-hardened and tempered chrome-nickel.
- Spiral bevel gears, Klingelnberg system with ground tooth flank.
- High-precision bearings.
- Standard DIN-2080 / 69871 taper tool – Drawbar DIN-69872. Consult for others.
- Wide range of performances and applications.
 - Blowing of taper for cleaning.
 - Cooling of bearings of the spindle (4000 rpm)
 - External cooling of tool or internal AD-type cooling, with rotary joint.

MODELO	ISO	HP CV	MAX. RPM	A	B	C	D	G	H	Ø I	J	PESO
VAR-5	50	35	3000-4000	417	108,5	108,5	361,25	236	447,25	380		275



► Technical specifications

- Manual tool clamping.
- Bodies arranged at 45° with respect to each other.
- Spindles and gears are made of case-hardened and tempered chrome-nickel.
- Tool taper DIN-2080.

MODELO	ISO	HP CV	MAX. RPM	A	B	B	D	E	F	G	H	O I	J	K	PESO
V-7	50	60	2000	460	253	253	435	109	438	214	499	410			380