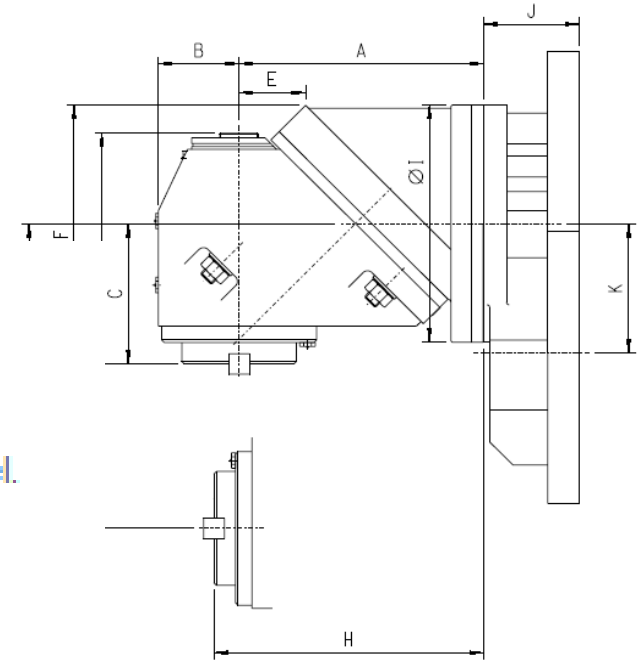


V-Series multi-angular head (Manual tool clamping)

► Technical specifications

- Manual tool clamping.
- Bodies arranged at 45° with respect to each other.
- Spindles and gears are made of case-hardened and tempered chrome-nickel.
- Tool taper DIN-2080.



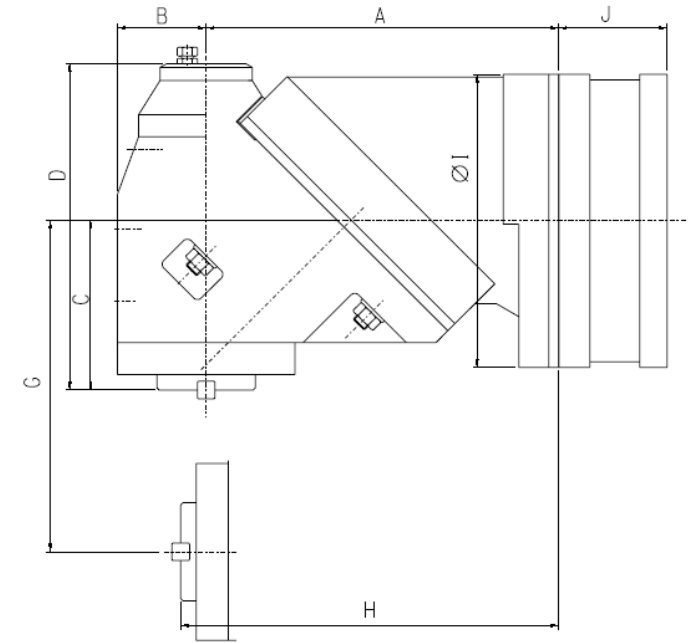
MODELO	ISO	HP CV	MAX. RPM	A	B	B	D	E	F	G	H	O I	J	K	PESO
V-0	40	5	1800	190,5	62,5	109,5	180	46,5	197	91,5	208,5	185		101	32
V-1	40	7,5	1800	231,5	75	131,5	211	57,5	246,5	105,5	257,5	230		118,08	55
V-2	40	10	1800	278	87	153	260	69	273,5	130	301	265		135	82
V-2	50	10	1800	278	87	149	263	69	273,5	130	297	265		140,2	82
V-3	40	20	1800	319,5	92,5	169	281	58,5	304	144,5	344	306			120
V-3	50	20	1800	319,5	92,5	169	285	58,5	304	144,5	344	306		150	120
V-4	50	30	3000	359	102,5	188	324	93	323	173	374	306			140
V-5	50	35	3000	417	108,5	266,25	341,5	161	418,25	236	447,25	380			260
V-7	50	60	2000	460	253	253	435	109	438	214	499	410			380



VAR-Series multi-angular head (Automatic Clamping)

▶ Technical specifications

- ▶ Automatic clamping of the tool, driven by a hydro-mechanical system at 80 bar.
- ▶ Spindles and gears are made of case-hardened and tempered chrome-nickel.
- ▶ Spiral bevel gears, Klingelnberg system with ground tooth flank.
- ▶ High-precision bearings.
- ▶ Standard DIN-2080 / 69871 taper tool – Drawbar DIN-69872. Consult for others.
- ▶ Wide range of performances and applications.
 - ▶ Blowing of taper for cleaning.
 - ▶ Cooling of bearings of the spindle (4000 rpm)
 - ▶ External cooling of tool or internal AD-type cooling, with rotary joint.



MODELO	ISO	HP CV	MAX. RPM	A	B	C	D	G	H	O I	J	PESO
VAR-2	40	15	3000	316	80	80	297	128	341	265		120
VAR-2	50	15	3000	316	80	80	307	128	353	265		120
VAR-3	50	30	3000-4000	358	102,5	102,5	342-352	172	375-385	306		150
VAR-5	50	35	3000-4000	417	108,5	108,5	361,25	236	447,25	380		275
VAR-7	50	60	2000	460	120	120	453	214	499	410		400

