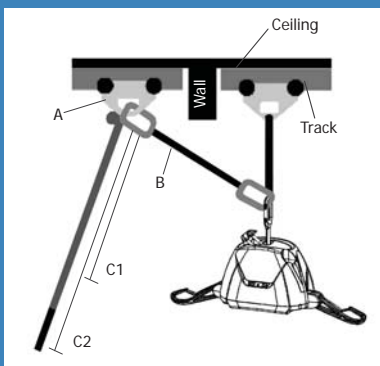
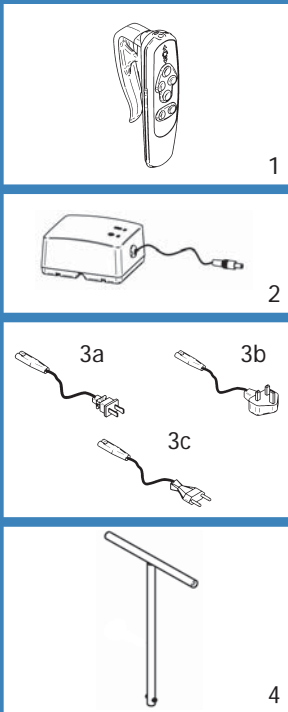




Ceiling Lift - Portable

V3

Lifting capacity :
440 lb / 200 kg / 31.49 st



# PRODUCT	DESCRIPTION	MARKET
#9810001	V3 / 2 Way - Portable Lift	NORTH AMERICA
#9810008	V3 / 2 Way - Portable Lift	EUROPE & UNITED KINGDOM

√ = Included / O = Optional

# PART	DESCRIPTION	#9810001	#9810008
1	#700.13600 Hand Control - 2 Way	√	√
2	#700.13510 Charger	√	√
3a	#402.00001 Charger Power Cord - North America	√	
3b	#402.00003 Charger Power Cord - Europe		√
3c	#402.00005 Charger Power Cord - United Kingdom		√
4	#005.16500 V3 - Emergency Lowering Tool	√	√

√ = Included / O = Optional

# PART	DESCRIPTION	
DOOR HEADER PASS THROUGH COMPONENTS		
A	#700.10650 Trolley - KWIKtrak	O
A	#A5900 Trolley - BHM	O
A	#700.10655 Trolley - Goldman	O
A	#700.10640 Trolley - Techno, Liko & Marka	O
B	#700.03715 Adjustable extension strap - Black	O
C1	#700.08310 Reacher 61 cm / 24"	O
C2	#700.08320 Reacher 91 cm / 36"	O

SUGGESTED SLINGS & STRETCHERS	Hammock & Hammock 6	Hygienic	Quick Fit	Band	Chest	Total transfer	Combi	Repositioning	Bariatric	Walking	Soft	Universal	Mergue
	Slings										Stretchers		
	√	√	√				√	√					

(For more details, look into the Sling Section)

FEATURES

Weight	6.35 kg / 14 lb / 1 st
Lifting capacity	200 kg / 440 lb / 31.49 st
Soft start & stop movement	

SAFETY FEATURES

Emergency lowering device	Manual
Emergency brake	Prevent free fall
Current limiter & emergency stopping device	

TECHNICAL SPECIFICATIONS

CSA, UL & CE approved	
Vertical displacement speed	4.3 cm/sec (1.7 in/sec)

BATTERY SPECIFICATIONS

Rechargeable sealed lead acid	(2X) 12VDC, 2.3Ah
Intelligent & fast charging system	2 to 4 hrs for complete charge
Battery capacity with load of 80 kg / 180 lb / 12.6 st	Up to 30 transfers
Low battery disconnect system	Protect batteries from been drained
Charge input – 90-240 Vac, 50-60 Hz, 27VA max.	
Charge indicator - Visual	

STRAP SPECIFICATIONS

Length	2.2 m (88 in)
Automatically stops unit if twisted	
Tested for 1363.5 kg / 3000 lb / 214.8 st	

UNIT CONSTRUCTION

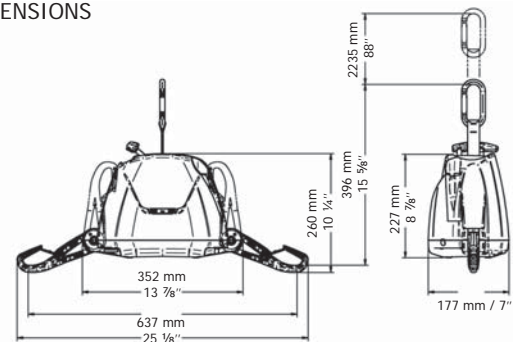
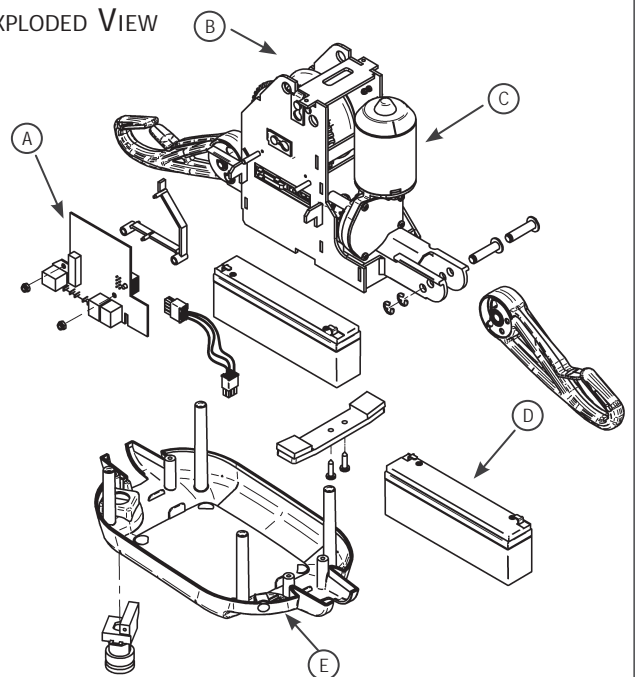
Frame – high strength rolled steel zinc plated
Cab – fire retardant plastic

COMMON SPARE PARTS

A	#492.00047-1	V3 - Main Circuit Board
B	#362.01365	Strap
C	#E0006	Gear motor
D	#E6585 (2X)	Battery
E	#492.00051	Handset - Charger input circuit board

TRACK LIFT ACCESSORIES

F	#A5720	Trapeze
G	#A5710	Trapeze with hook 41 cm (16 in)
H	#700.03715	Adjustable extension strap - Black
I	#A5900	Trolley - BHM Track
I	#700.10650	Trolley - KWIKtrak
J	#700.05720	Weighing unit & Adapter (North America)
K	#700.05740	Spreader bar
L	#700.08310	Reacher 61 cm (24 in)
L	#700.08320	Reacher 91 cm (36 in)
M	#002.08150	Portable lift carry bag

DIMENSIONS

EXPLODED VIEW

ACCESSORIES
