

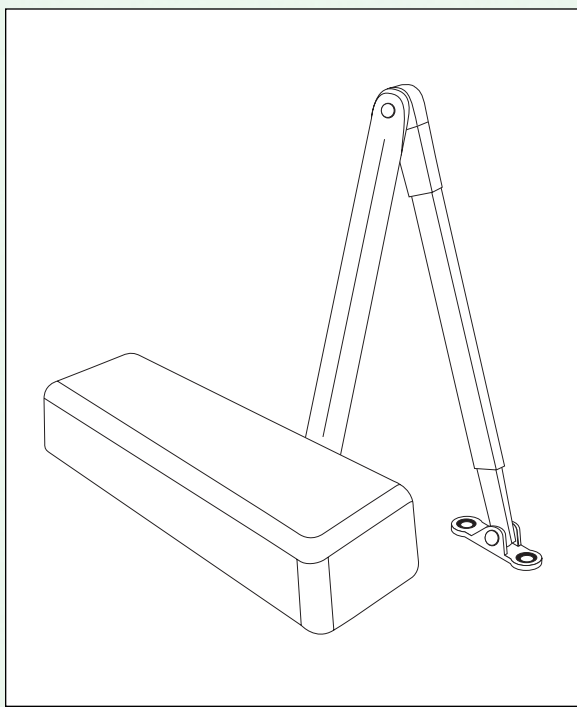
# 7100 Series

Heavy Duty Architectural  
Door Control



AMERICAN  
EAGLE  
LOCK COMPANY INC.

# 7100 SERIES HEAVY DUTY ARCHITECTURAL STYLE DOOR CONTROL



*The American Eagle 7100 Series is a heavy duty, fully featured architectural style door control. The high strength cast iron body and forged steel arm assembly provide maximum durability and reliability in the most demanding circumstances, while maintaining a pleasing appearance. Recommended applications include high frequency abusive installations such as schools, universities, military bases or the most demanding commercial buildings.*

*The backcheck positioning valve feature provides a consistent backcheck snubbing range for regular, top jamb and parallel arm applications, preventing costly damage during forceful opening of the door. The 7100 Series has a fully adjustable spring range that can be set to meet barrier free requirements. The 7100 Series is the perfect blend of strength and aesthetics.*

## SUGGESTED ARCHITECTURAL SPECIFICATIONS

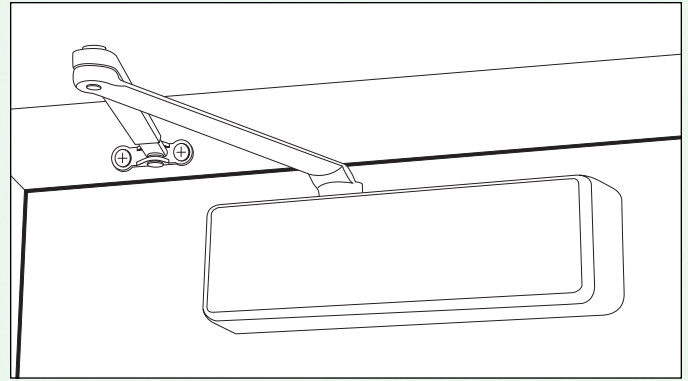
All door closers shall be American Eagle 7100 Series with full rack and pinion construction, heavy duty cast iron closer body, forged steel main arm and full architectural cover. Hydraulic control shall be through separate hex key non-critical sweep, latch and backcheck valve adjustment. Backcheck positioning valve to provide consistent backcheck range on parallel arm applications. Optional delayed action (in lieu of backcheck) to be effective from maximum opening to approximately 70 degrees. Closers shall be non-handed, suitable for regular, top jamb and parallel arm applications with fasteners for wood and metal doors and frames. Sex nuts and bolts shall be furnished standard. Spring adjustment to be provided throughout a range of sizes 1-6 and capable of meeting barrier free force restrictions. All products to carry a 25-year manufacturer's limited warranty. Closers shall be listed by U.L./U.L.C., comply with UL 10C and UBC 7-2 (1997) for positive pressure and perform to the requirements of ANSI A156.4 Grade 1.

## 7100 SERIES SPECIFICATIONS

<b>HANDING:</b>	Non-handed
<b>OPERATION:</b>	Rack and pinion design
<b>BODY:</b>	High strength cast iron
<b>ARM:</b>	Forged steel main arm / Flat style arm assembly / Optional hold open arm / Optional DS/DSHO heavy parallel duty stop arm
<b>ADJUSTMENT:</b>	Adjustable controlled closing / Separate hydraulic backcheck standard / Backcheck positioning valve standard / Separate sweep, latch, backcheck intensity and backcheck positioning valves / Optional delayed action (in lieu of backcheck)
<b>SIZE:</b>	Adjustable size 1-6 / Can meet 5 lbf. and 8.5 lbf. barrier free force requirements
<b>MOUNTING:</b>	Tri-packed for regular, top jamb and parallel arm installations / Fasteners for wood and metal doors and frames / Sex nuts and bolts standard / Retrofits LCN 4040 Series
<b>COVER:</b>	Full plastic cover standard
<b>FINISHES:</b>	Sprayed aluminum, dark duranodic bronze and gold / Optional polished brass and polished chrome architectural finishes
<b>CERTIFICATION:</b>	UL and ULC listed / Complies with UL 10C and UBC 7.2 (1997) / Conforms with the requirements of ANSI A156.4 Grade 1 / Meets requirements of ANSI A117.1 and ADA
<b>WARRANTY:</b>	Twenty-five (25) year limited warranty

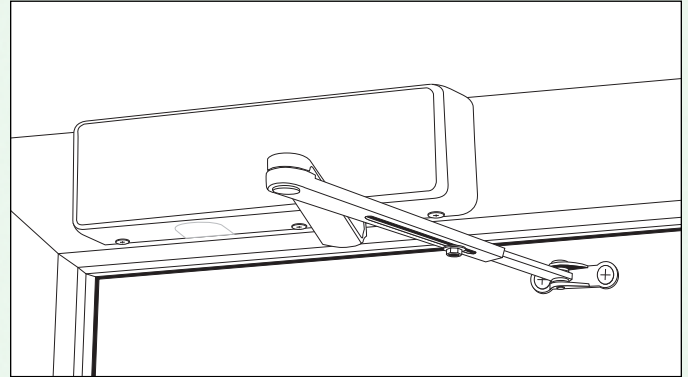
## REGULAR ARM

Regular arm mount is a pull side application with double lever arm. The closer mounts on the door and the arm mounts to the frame. It provides the most efficient operation for a door control and is commonly used on in-swing doors from corridors or other interior doors. Regular arm mount is a poor choice for exterior out-swinging doors as it would put the closer on the exterior of the building. The arm assembly projects directly out from the frame. That may be a concern for vandalism or aesthetics. Regular arm application can be used with non-hold open or hold open arms.



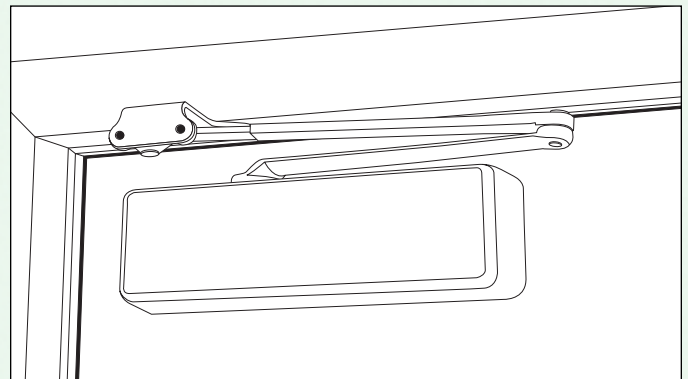
## TOP JAMB

Top jamb mount is a push side double lever arm application that offers the best alternative to regular arm mount. The closer mounts to the frame and the arm mounts to the door. This application is commonly used on exterior out-swinging doors. It is a poor application for in-swinging doors from a corridor as it places the closer arm in a visible application projecting into the corridor. The arm projects out similar to regular arm mount. Therefore, it can be a concern for vandalism or aesthetics. Top jamb application can be used with non-hold open or hold open arms.



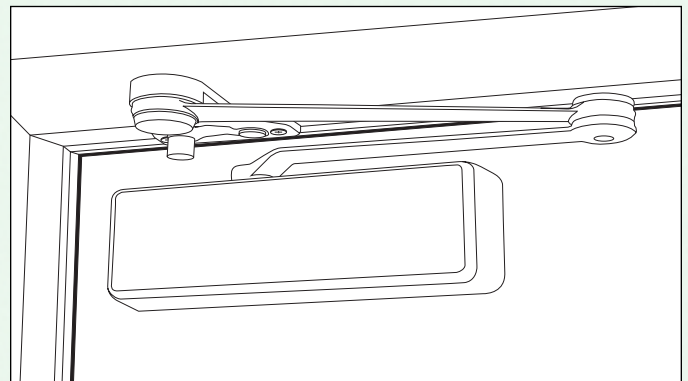
## PARALLEL ARM

Parallel arm mount is a push side double lever arm application. The closer is installed on the push side of the door and the arm is mounted to a parallel arm adapter plate installed to the frame soffit. The arm is approximately parallel with the face of the door, eliminating the projection condition evident with regular arm and top jamb applications. Parallel arm is often preferred where aesthetics or vandalism are concerns. Parallel arm is less efficient than regular or top jamb mounts due to the geometry of the arm. Parallel arm application can be used with non-hold open or hold open arms.

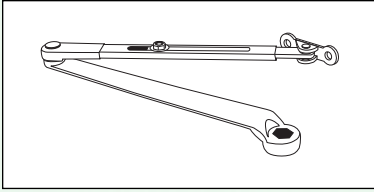


## PARALLEL (DS/DSHO) STOP ARM

The parallel stop arm mount is an enhanced version of the parallel arm application. It is similar to the parallel arm mount but incorporates a heavy duty rigid arm and soffit plate with limiting dead stop. The dead stop feature is field handed. The closer's backcheck function should be adjusted to cushion the impact of the stop. The parallel stop arm is intended for use where an auxiliary stop cannot be utilized. The parallel stop arm is available in non-hold open (DS) and hold open (DSHO) applications.

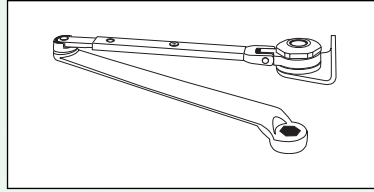


# ACCESSORIES/OPTIONS



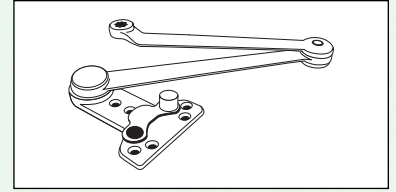
## REGULAR ARM - RA

Complete arm assembly with forged steel main arm and flat form style arm and shoe assembly. (#719003)



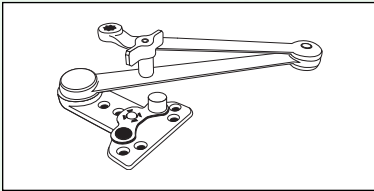
## HOLD OPEN ARM - HO

Friction hold open arm assembly. Provides single point hold open from maximum opening to approximately 80 degrees. (#719002)



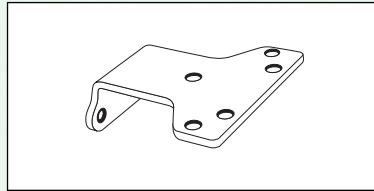
## DOOR SAVER ARM - DS

Enhanced version of parallel arm application. Heavy duty rigid arm assembly and soffit plate with field reversible dead stop. Non-hold open version. (#719005)



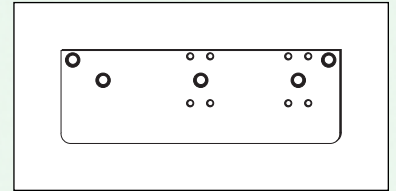
## DOOR SAVER HOLD OPEN - DSHO

Similar to DS arm but incorporates a thumb turn hold open function. (#719016)



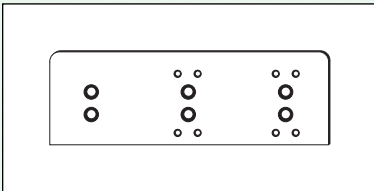
## PARALLEL ARM BRACKET - PA

Bracket used when mounting parallel arm with regular arm non-hold open assembly or parallel arm with hold open. (#719001)



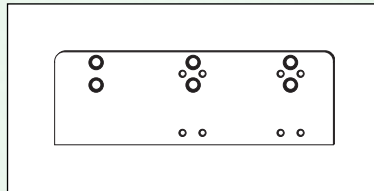
## BACK PLATE - BP

For regular arm mount with narrow top door rail. (#719008)



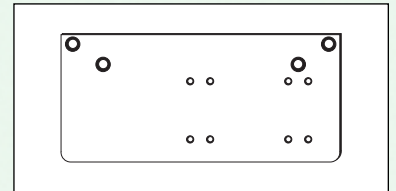
## TOP JAMB BACK PLATE - BPTJ

For top jamb mount with limited frame face. (#719024)



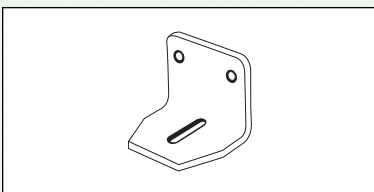
## TOP JAMB DROP PLATE - DPTJ

For top jamb mount with limited overhead ceiling clearance or to provide clearance for a surface applied stop/holder. (#719023)



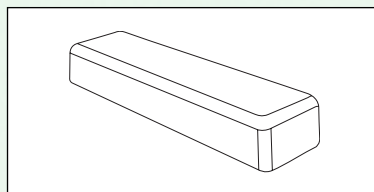
## PARALLEL ARM DROP PLATE - DPPA

For parallel arm mount with narrow top door rail. (#719018)



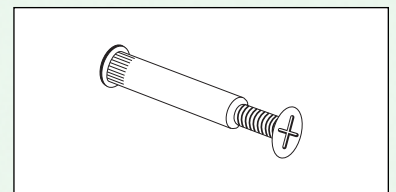
## NARROW FRAME BRACKET - NFB

Used with DS/DSHO applications where narrow frame conditions require additional reinforcement of soffit plate. (#719011)



## FULL COVER - FC


Full plastic cover, non-handed. (#719006)





## SEX NUTS AND BOLTS - SNB

Recommended for unreinforced wood or composite labeled fire doors. For 1-3/4" thick doors only. (#719004)

## HOW TO ORDER

SERIES		SIZE		APPLICATION		OPTIONS	
Closer Series		Adjustable Size 1-6 		PA – Tri-Pack (standard) HO – Hold Open, Tri-Pack DS – Door Saver Arm DSHO – Door Saver Hold Open Arm		Blank – SNB (standard) BP – Back Plate BPTJ – Top Jamb Back Plate DPTJ – Top Jamb Drop Plate DPPA – Parallel Arm Drop Plate NFB – Narrow Frame Bracket	
<b>71</b>	<b>0</b>	<b>1</b>	<b>BC</b>	<b>PA</b>	<b>689</b>	<b>BP</b>	
0 – Non-Delayed Action 4 – Delayed Action (in lieu of backcheck)		BC – Adjustable Hydraulic Backcheck (Standard)  Backcheck Positioning (Standard)		689 – Aluminum 695 – Duro Bronze 696 – Gold 605 – Polished Brass 625 – Polished Chrome			
<b>DELAYED ACTION</b>		<b>BACKCHECK</b>		<b>FINISH</b>			

## SIZE SELECTOR

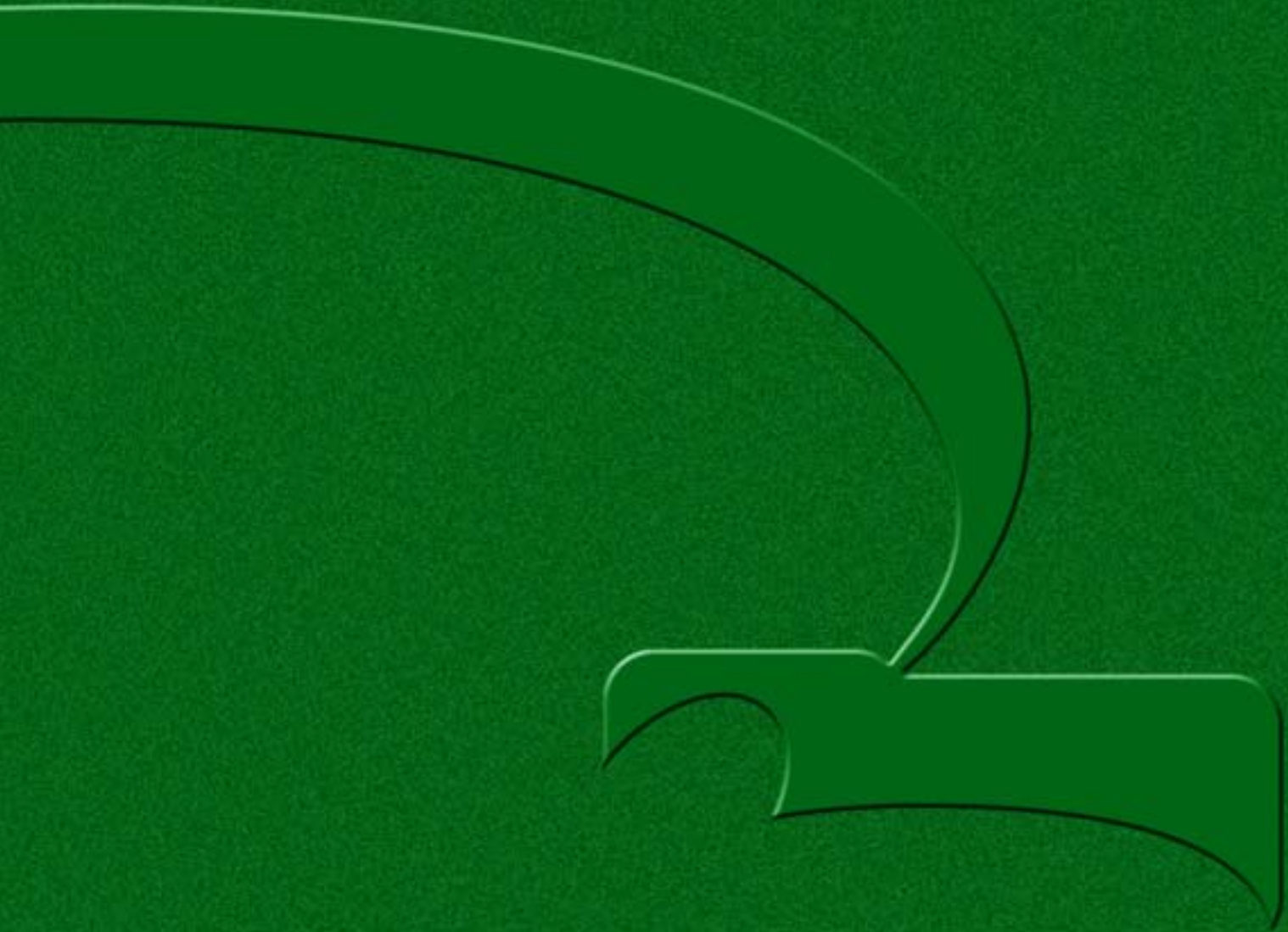
CLOSER SIZE	INTERIOR	EXTERIOR
1	5 lbf. 	—
2	2'10"	8.5 lbf. 
3	3'2"	2'6"
4	4'0"	3'0"
5	4'6"	3'6"
6	5'0"	4'0"

Note: 7100 Series Closers can be installed and adjusted to meet 5 lbf. and 8.5 lbf. barrier free applications. However, it can not be guaranteed the door will close and latch while complying with barrier free restrictions.

## CROSS REFERENCE

AMERICAN EAGLE	CAL ROYAL	CORBIN/RUSSWIN	DOR-O-MATIC	DORMA	HAGER	LCN	NORTON	SARGENT	YALE
7100	CR441	DC6200	SC70	8900	5100	4040	7500	350	4400

No products are exactly alike. This cross reference represents our judgement of products that are most similar. Information has been obtained from trade sources. It is not represented nor guaranteed that any product exactly equals any other product.



**A Division of PDQ Industries**

P.O. BOX 249 • Brownstown PA 17508 • 144 Newport Road • Leola PA 17540  
717.656.0174 • 866.874.3662 Toll Free • 717.656.0818 Fax

[www.americaneaglelockco.com](http://www.americaneaglelockco.com)