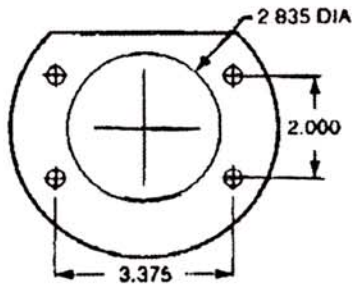
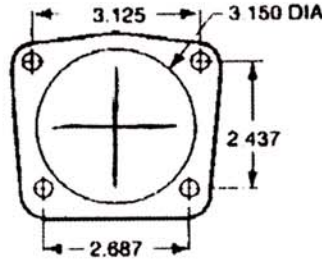


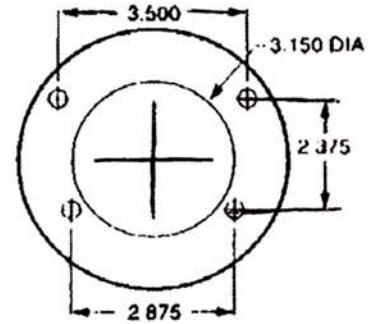
HOW TO IDENTIFY YOUR REAR AXLE!



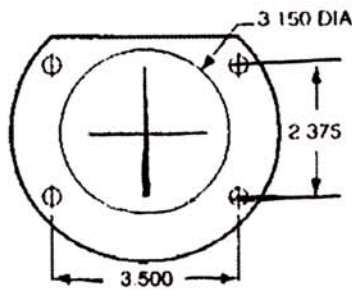
SMALL FORD



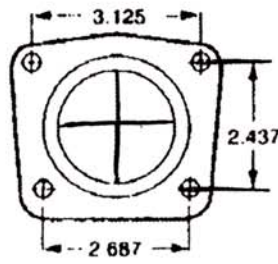
CHEVY (SPECIAL)



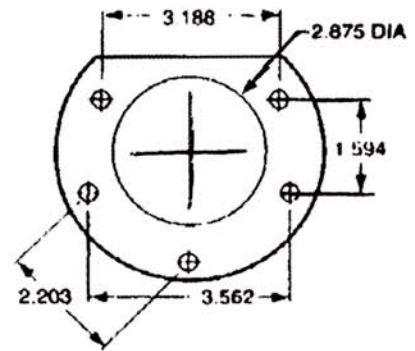
OLDS / PONTIAC



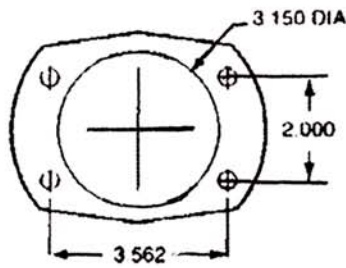
BIG FORD



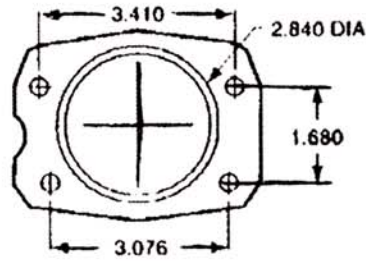
**12 BOLT
CHEVY**



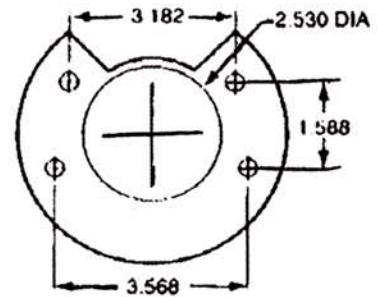
**8-3/4 AND 9-3/4
MOPAR / DANA 60**



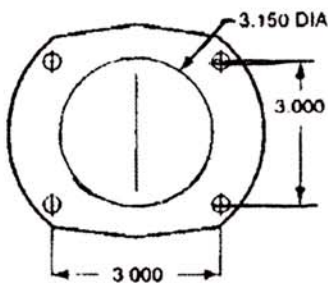
BIG FORD (NEW STYLE)



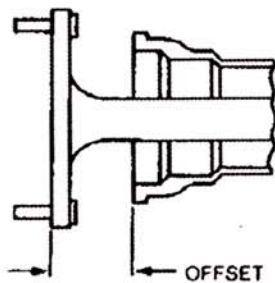
8.8" FORD



**8-1/4 AND 9-1/4
MOPAR**



MARK WILLIAMS



**AXLE FLANGE
CROSS-SECTION**