

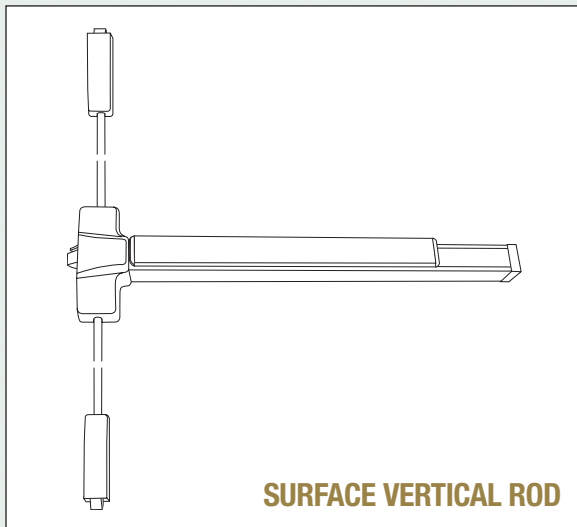
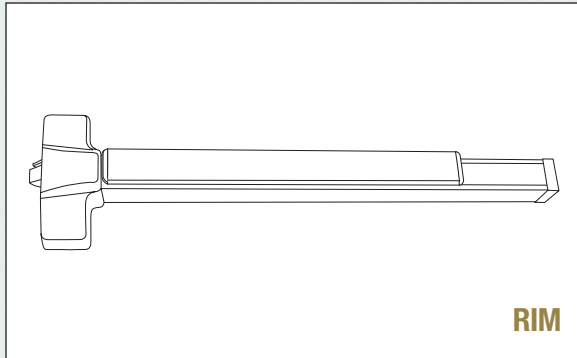
6200 Series

Architectural Commercial Exit Device



AMERICAN
EAGLE
LOCK COMPANY INC.

6200 SERIES ARCHITECTURAL COMMERCIAL EXIT DEVICE



The American Eagle 6200 Series offers superior durability and security in commercial applications while providing compliance with life safety and fire code requirements. The 6200 Series is ideal for stocking distributors as the exit device is universal. The function is easily determined by selecting from the extensive line of available trim options. Units are non-handed to facilitate easy field installation. The 6200 is available in a variety of architectural finishes that will compliment any decor.

SUGGESTED ARCHITECTURAL SPECIFICATIONS

All exit devices shall be American Eagle 6200 Series rim or surface vertical rod devices. Surface vertical rod devices to have top and bottom pullman latch bolts. Latch bolts to be dead locking where applicable. All rails shall be constructed of extruded aluminum with stainless steel touch pads. Devices to be furnished with metal chassis covers and end caps. Devices to be available for non-labeled doors and fire labeled doors. Devices for non-labeled doors shall have hex key dogging standard and cylinder dogging optional. All devices to offer a variety of trim options including heavy duty escutcheon and heavy duty rose trim. Rose trim to be available with Philadelphia, Boston or Miami levers. All devices to be furnished standard with sex nuts. Devices shall be listed by U.L./U.L.C. and comply with U.L. 10C and UBC 7-2 (1997) for positive pressure. All products to carry a 5-year limited warranty.

6200 SERIES SPECIFICATIONS

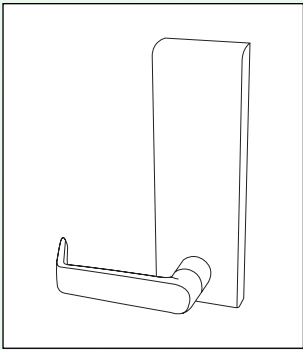
CHASSIS:	Cadmium plated steel
RAIL:	Extruded aluminum
TOUCH PAD:	Stainless steel
LATCH BOLT:	Stainless steel dead locking / 3/4" throw Rim / 5/8" throw SVR
STRIKE:	Roller strike standard for non-fire labeled devices
PROJECTION:	3-1/8" projection / 1-5/8" projection when dogged
HAND:	Device and trim are non-handed
DOGGING:	Hex key dogging standard / Cylinder dogging optional / No dogging on fire labeled devices
APPLICATION:	Rim or surface vertical rod (8'0" tall door standard) / Covers 161 prep
BACKSET:	2-7/8"
STILE WIDTH:	4-1/4" minimum
DOOR THICKNESS:	1-3/4"
DOOR WIDTH:	"A" size for 3'0" - 4'0" door maximum / "B" size for 2'10" - 3'0" door maximum
DEVICE FINISHES:	Polished brass, satin brass, oil rubbed bronze, satin chrome and satin stainless steel
FASTENERS:	Sex nuts and bolts standard
CERTIFICATION:	U.L./U.L.C. listed for "Panic", "Fire Exit Hardware" labeled for up to 1-1/2 hour for 4'0" x 8'0" maximum single, 8'0" x 8'0" maximum pairs / Complies with U.L. 10C and UBC 7.2 (1997)
WARRANTY:	Five (5) year limited warranty

TRIM SELECTION

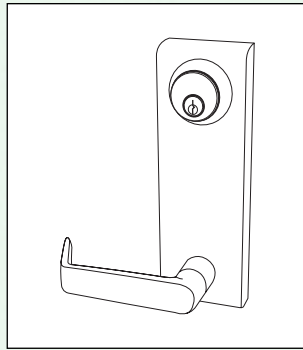
ANSI FUNCTION	DESCRIPTION	HEAVY DUTY WIDE ESCUTCHEON TRIM*	HEAVY DUTY KEY-IN-LEVER ROSE TRIM PHL-PHILADELPHIA	HEAVY DUTY KEY-IN-LEVER ROSE TRIM BSN-BOSTON	HEAVY DUTY KEY-IN-LEVER ROSE TRIM MIA-MIAMI
01	Exit only, no trim or blank escutcheon.	—	—	—	—
02	Entrance by trim when actuating bar is locked down (dummy trim).	629 LPENXH	—	—	—
03	Entrance by trim when latch bolt is retracted by key. Key removable only when locked (night latch).	629 LPEKXH	629 LPSH/ 629 LPSH-IC	629 LBSH/ 629 LBSH-IC	629 LMSH/ 629 LMSH-IC
04	Entrance by trim when latch bolt is retracted by key or set in retracted position by key (night latch with cylinder dogging). Requires 6201 device with cylinder dogging.	629 LPEKXH	629 LPSH/ 629 LPSH-IC	629 LBSH/ 629 LBSH-IC	629 LMSH/ 629 LMSH-IC
08	Entrance by knob or lever. Key unlocks knob or lever (classroom knob/lever).	629 LPEKFH	629 LPKH/ 629 LPKH-IC	629 LBKH/ 629 LBKH-IC	629 LMKH/ 629 LMKH-IC
14	Entrance by trim when latch bolt is released by knob or lever. Always active, no cylinder (passage knob/lever).	629 LPENFH	629 LPNH	629 LBNH	629 LMNH

Note: *629 LPE trim furnished with 1-1/8" mortise cylinder (will not work with 1-1/4" cylinder)

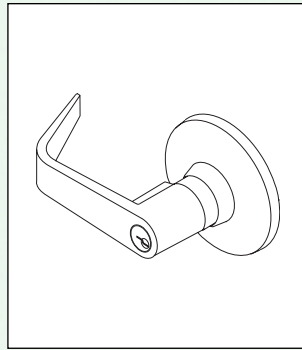
ACCESSORIES/OPTIONS



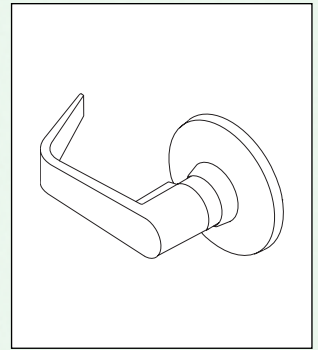
629 LPENFH/629 LPENXH



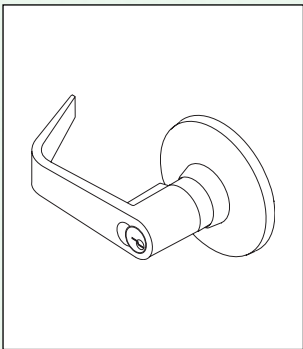
629 LPEKFH/629 LPEKXH



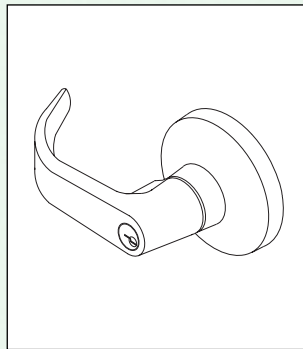
629 LPKH/629 LPSH



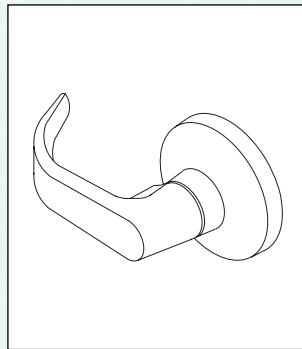
629 LPNH



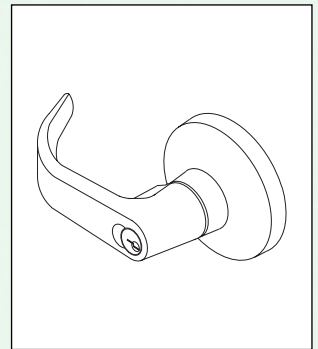
629 LPKH-IC/629 LPSH-IC



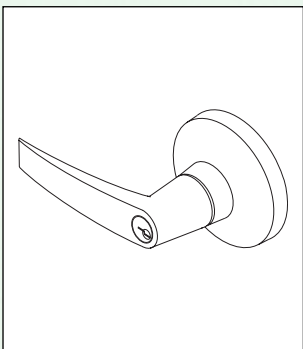
629 LBKH/629 LBSH



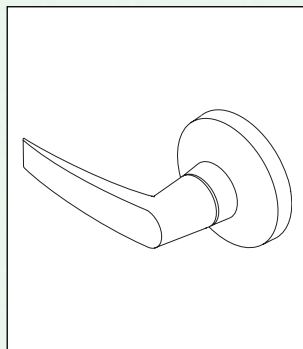
629 LBNH



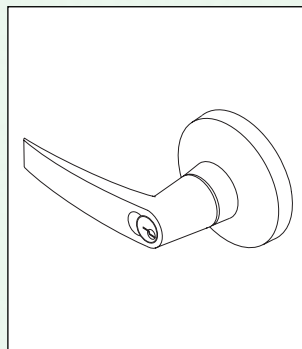
629 LBKH-IC/629 LBSH-IC



629 LMKH/629 LMSH



629 LMNH



629 LMKH-IC/629 LMSH-IC

HOW TO ORDER

SERIES		APPLICATION		SIZE		TRIM	
Exit Device Series		R – Rim V – Surface Vertical Rod		A – 3'0" to 4'0" Door B – 2'10" to 3'0" Door		Specify As Required (Example Shown)	
62	00*	R	F	A	630	629LPKH	
00 – Hex Key Dogging (Standard) 01 – Cylinder Dogging * Dogging Not Furnished With Fire Labeled Devices		F – Fire Labeled No Designation – Egress (Panic) Labeled		605 – Polished Brass 606 – Satin Brass 613 – Oil Rubbed Bronze 626 – Satin Chrome 630 – Satin Stainless Steel			
DOGGING		LABELING		FINISH			

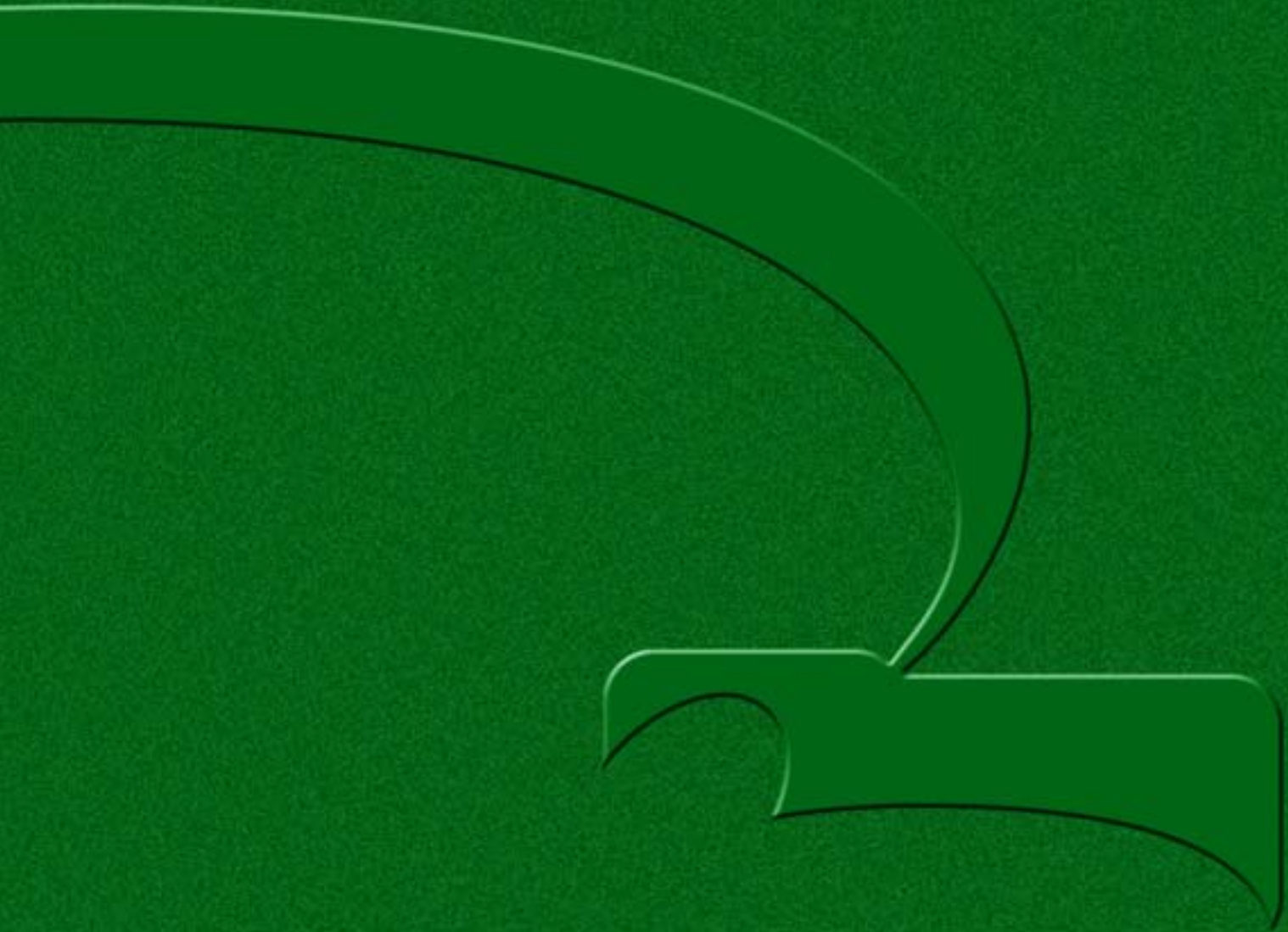
ACCESSORIES/OPTIONS

PART	DESCRIPTION
629020	Top surface vertical rod for 8'0" door (furnished with SVR device)
629023	Top surface vertical rod, 2' extension for up to 10'0" door (optional)
629024	Bottom surface vertical rod (furnished with SVR device)
629027	Rod guide (furnished 2 each with SVR device)
629001	Sex nut and bolt set (furnished with device)
629015	Shim, end cap, glass lite shim 1/4" (optional, must be used in conjunction with #629016)
629016	Shim, chassis, glass lite shim 1/4" (optional, must be used in conjunction with #629015)
629012	Strike, rim non-fire labeled (furnished with rim device)
6290130	Strike, top SVR non-fire labeled (furnished with SVR device)
629013	Strike, bottom SVR non-fire labeled (furnished with SVR device)
6290132	Strike, top SVR fire labeled (furnished with SVR fire labeled device)
6290131	Strike, bottom SVR fire labeled (furnished with SVR fire labeled device)
629019	Double door strike (optional)

CROSS REFERENCE

AMERICAN EAGLE	CAL ROYAL	CORBIN/ RUSSWIN	DORMA	HAGER	MONARCH	YALE
6200	9800	ED5000	9000	4500	18	7000

No products are exactly alike. This cross reference represents our judgement of products that are most similar. Information has been obtained from trade sources. It is not represented nor guaranteed that any product exactly equals any other product.



**AMERICAN
EAGLE**
LOCK COMPANY INC.

A Division of PDQ Industries

P.O. BOX 249 • Brownstown PA 17508 • 144 Newport Road • Leola PA 17540
717.656.0174 • 866.874.3662 Toll Free • 717.656.0818 Fax

www.americaneaglelockco.com