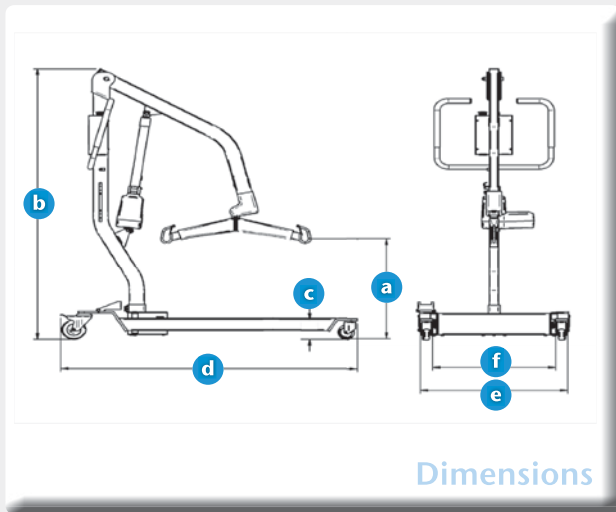
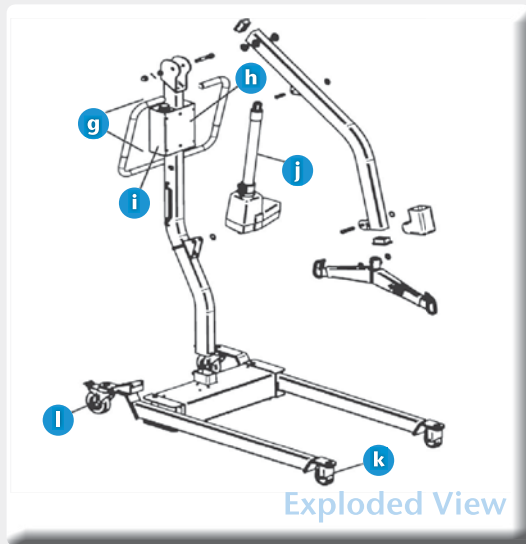


Floor lift Ergolift-II



Description		min		max	
		cm	in	cm	in
a	Hoisting height at connecting points	52	20.5	179	70.5
		cm		in	
b	Base height	11		4.25	
c	Total lift height	140		55	
d	Base total length	125		49	
e	External base width (legs closed)	51		20	
e	External base width (legs open)	98		38.5	
f	Internal base width (legs closed)	61		24	
f	Internal base width (legs open)	108		42.5	



Common spare parts

g	A6700	Control box with integrated charger
h	A0150 (X1)	Battery
i	E6760-4F	Circuit board - Charger
j	700.06610-2	Actuator
k	000.06000	Caster Front 3" (7.62 cm)
l	000.06010	Caster back Caster back 4" (10.16 cm)