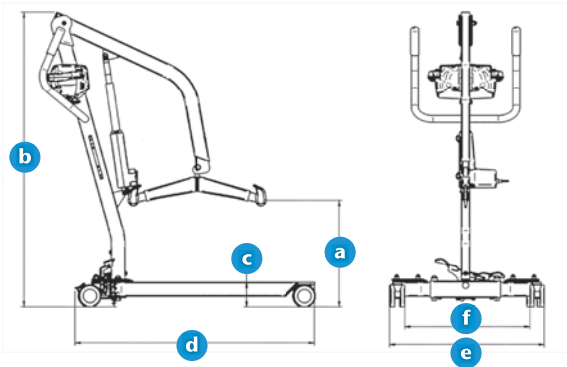
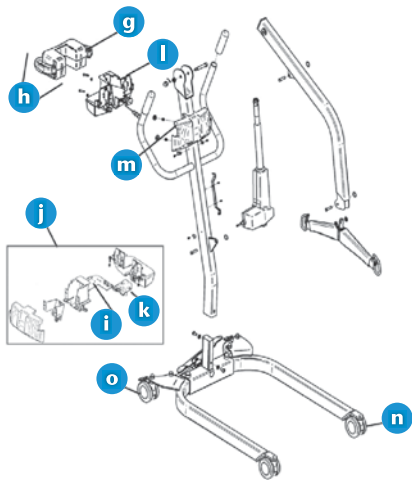


Floor lift Graduate



Dimensions

Description		min		max	
		cm	in	cm	in
a	Hoisting height at connecting points	49	19.3	176.5	69.5
		cm		in	
b	Total lift height	135		53.1	
c	Base height	11.2		4.4	
d	Base total length	109		42.9	
e	External base width (legs closed)	70		27.8	
e	External base width (legs open)	111		43.7	
f	Internal base width (legs closed)	57		22.4	
f	Internal base width (legs open)	99		39	



Exploded View

Common spare parts

g	403.10500 (X2)	Battery
h	700.16200	Battery pack
i	492.0045-3	Circuit board - Control box
j	700.16051	Wall charger - North America
j	700.16058	Wall charger - Europe & United Kingdom
k	492.00031-4	Circuit board - Charger
l	700.16005.2	Control box (with charger)
m	700.06610-2	Actuator
n	000.20430	Caster Front 4" (10.16cm)
o	000.20435	Caster back 4" (10.16 cm)