

Hammer Mills



18" Hammer Mill Grinding Capacities

Note: Due to variations in grain moisture and texture the capacities listed are to be used as guidelines only.

Screen Size	Motor H.P.	Dry Corn		Hi-Moisture Corn		Dry Barley	
		LB./MN.	LB./HR.	LB./MN.	LB./HR.	LB./MN.	LB./HR.
3/32"	5	20	1200				
	7-1/2	30	1800				
	10	40	2400				
	15	60	3600				
1/8"	5	40	2400			13	780
	7-1/2	60	3600			18	1080
	10	74	4400			23	1380
	15	94	5600			35	2100
3/16"	5	57	3400	51	3040	19	1140
	7-1/2	81	4840	71	4240	30	1800
	10	100	6000	84	5040	40	2400
	15	147	8800	126	7520	58	3480
1/4"	5	67	4000	63	3760		
	7-1/2	100	6000	95	5680		
	10	119	7120	115	6880		
	15	178	10640	167	10000		
5/16"	5	84	000				
	7-1/2	126	7520				
	10	147	8800				
	15	220	13200				
3/8"	5	97	5800				
	7-1/2	146	8720				
	10	172	10320				
	15	258	15480				
1/2"	5	127	7600				
	7-1/2	187	11200				
	10	226	13520				
	15	334	20000				

The Practical Approach to Grinding High Moisture and Dry Grains



Features

- Low Initial Cost
- Low Maintenance
- Low Operating Cost
- Compact Design
- Easy Serviceability
- Heavy Duty Plate Magnet
- Dust Tight Encloser
- 360° Screen
- Reversible Hammers & Screens
- Removable Wear Plate
- Self Locking Door Latches

Options

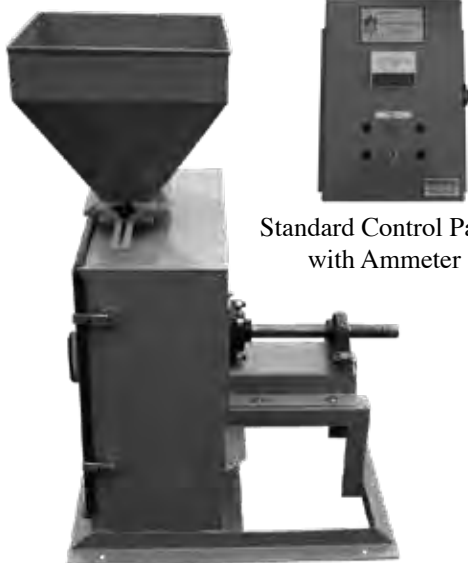
- Gravity Discharge
- Auger Discharge 0°-40°
- Discharge Funnel
- Support Stand
- Computerized Systems
- Manual or Variable Speed Control for Feed-in Auger

Specifications

- 15 Hardened Hammers on Beater Hub
- 6" Screen Width
- 1/16"-3/4" Screen Perforations Available
- 5-30 HP Motor
- Direct Driven
- 1700-3400 RPM Beater Hub
- 6" x 4" Plate Magnet

Hammer Mills

Mills • Accessories



Standard Control Panel with Ammeter

18" Mill shown with Jackshaft Assembly, Intake Hopper & Slide

18 "HAMMER MILLS

MST18010	For One 10 hp Motor (Not including motor)	\$1,800.00
MST18210S	For Two 10 hp Inline Motors (Not including motors)	\$2,225.00
MST18020	For One 20 hp Motor (Not including motor)	\$2,025.00
MST18030	For One 30 hp Motor (Not including motor)	\$2,125.00
MST18010J	For Jackshaft Assembly	\$1,450.00
MSTK0010	Jackshaft Assembly for 18" Hammer Mill	\$211.50
Note: All Mills include a control panel with ammeter and contactor, and 1 screen, additional screens are \$60.00 each (see page 3)		

MOTORS

L3709T	7 1/2 HP	3450 RPM	Single Phase	\$525.00
L3711T	10 HP	3450 RPM	Single Phase	\$645.00
37H157W578G1	10 HP	3520 RPM	Single Phase DBL Shaft	\$743.50
M3711T	10 HP	3500 RPM	Three Phase	\$518.50
M4106T	20 HP	3520 RPM	Three Phase	\$817.50
M4108T	30 HP	3520 RPM	Three Phase	\$1,127.00

ACCESSORIES

AIH1212	Intake Hopper 12" x 12"	(Does Not Include Slide)	6" High	\$55.00
AIH1616	Intake Hopper 16" x 16"	(Does Not Include Slide)	14" High	\$140.00
AIH2424	Intake Hopper 24" x 24"	(Does Not Include Slide)	24" High	\$185.00
AIT0404	4" Round Intake Adapter		4" High	\$25.00
AIT0406	6" Round Intake Adapter		4" High	\$30.00
AIS0404	Intake Slide			\$30.00
AIH0004	Intake Auger Support BRKT, 4"	(Fits 16" and 24" Hoppers)		\$30.00
AIH0006	Intake Auger Support BRKT, 6"	(Fits 16" and 24" Hoppers)		\$30.00
AAD-0645	45° - 6" Unload Boot			\$250.00
AAD-0640	40° - 6" Unload Boot			\$250.00
AAD-0630	30° - 6" Unload Boot			\$250.00
AAD-0620	20° - 6" Unload Boot			\$250.00
AAD-0600	6" Horizontal Unload Boot Only			\$250.00
AAD-1602	6" Horizontal to 6" Vertical Unload Boot			\$395.00
ABR-0604	Mill Unload Boot Reducer, 6" to 4"			\$35.00
ABR-0605	Mill Unload Boot Reducer, 6" to 5"			\$35.00
AOH1224	Outlet Hopper To 6" Round			\$110.00
AST1800	18" Mill Stand	28 1/2"W x 29 1/2"D	13"-21" High	\$120.00
AST1821	18" Mill Stand (For MST18210S Mill)	28 1/2"W x 53 1/2"D	13"-21" High	\$140.00
ACS1011	Add-on For Control Box: 1 - Switch & 1 Contactor (2hp or less)			\$57.50



40° Unload Boot

Outlet Hopper to 6" Round

Intake Auger Support Bracket

6" Horizontal To 6" Vertical Unload Boot

Unload Boot Reducer

Round Intake Adapter



Hammermill Parts Breakdown

Hammer Mills

Screens • Motors • Parts

HOPPER PARTS

AJH1242	Intake Hopper 12 in. x 12 in.
AJH1616	Intake Hopper 16 in. x 16 in.
AJH2424	Intake Hopper 24 in. x 24 in.
AJ5404	Intake Slide
AJT404	4 in. Round Intake Adapter
AJT466	6 in. Round Intake Adapter

SCREENS

92000222	1/16 in. D Screen 18in.
92000223	3/32 in. D Screen 18in.
92000221	1/8 in. D Screen 18in.
92000211	5/32 in. D Screen 18in.
92000212	3/16 in. D Screen 18in.
92000213	7/32 in. D Screen 18in.
92000214	1/4 in. D Screen 18in.
92000215	5/16 in. D Screen 18in.
92000216	3/8 in. D Screen 18in.
92000217	7/16 in. D Screen 18in.
92000218	1/2 in. D Screen 18in.
92000219	5/8 in. D Screen 18in.
92000220	3/4 in. D Screen 18in.

MOTORS

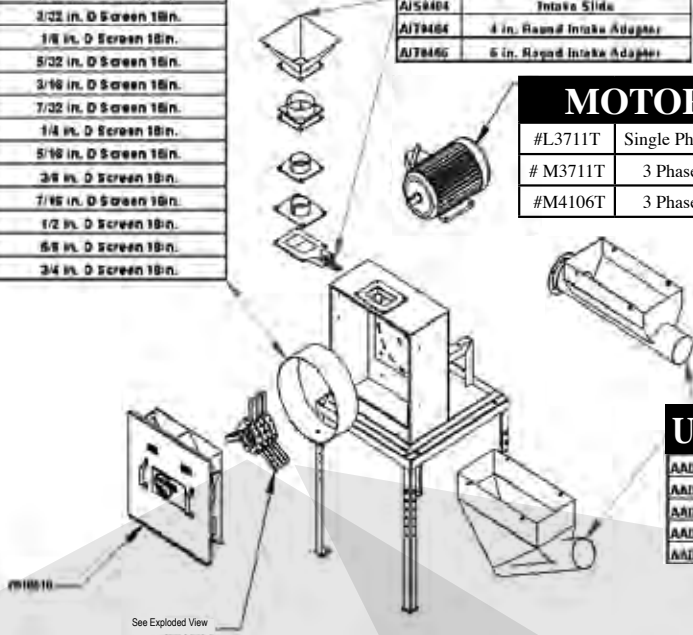
#L3711T	Single Phase 10 HP
# M3711T	3 Phase 10 HP
#M4106T	3 Phase 20 HP

UNLOAD BOOTS

AAD0600	6" Mill Unload Boot, Gr.
AAD0620	20" Mill Unload Boot, Gr.
AAD0630	30" Mill Unload Boot, Gr.
AAD0640	40" Mill Unload Boot, Gr.
AAD0645	45" Mill Unload Boot, Gr.



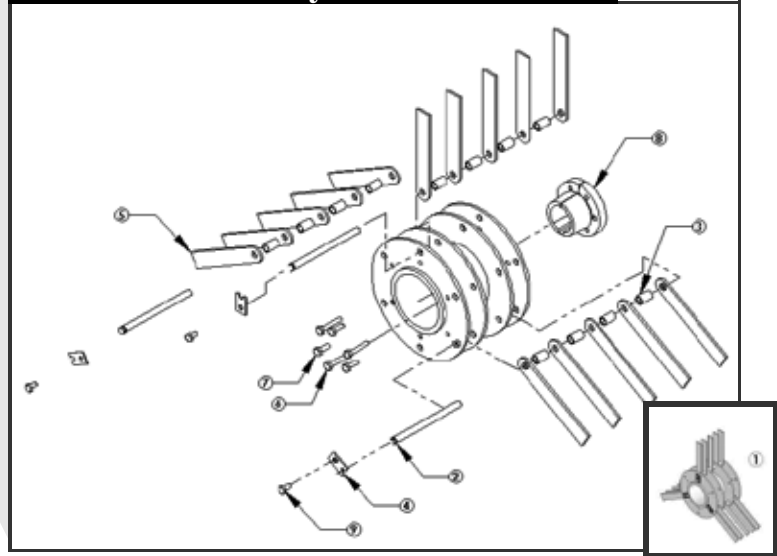
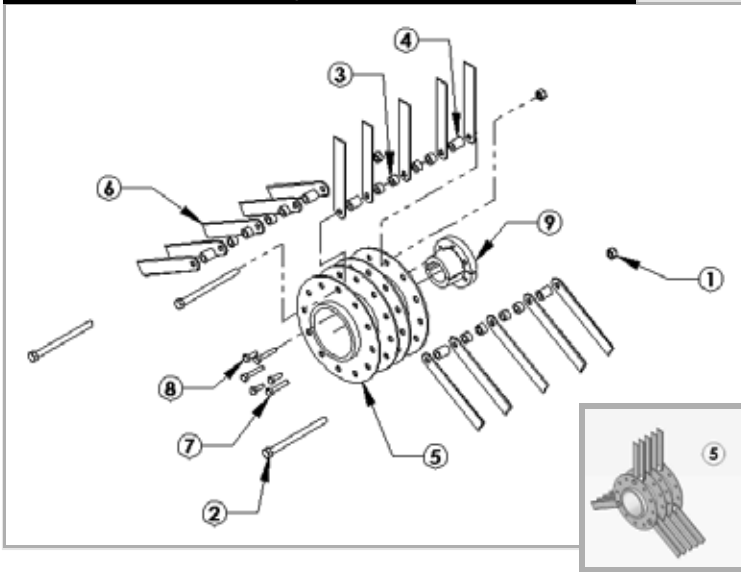
18" Mill shown with motor, 6" unload boot, intake hopper, & slide (Mounted on Stand)



See Exploded View

Exploded View Of 10 HP Hammer Assembly #92000234

Exploded View Of 20 HP Hammer Assembly #10B251



ITEM NO.	PART NUMBER	DESCRIPTION	QTY.
1	66754500	Nut, 3/8" Zinc Plated Hex	3
2	70011504	Bolt, 3/8" x 5, Hammer Mill, Hex Head	3
3	80013501	Spacer, Hammer (Short)	12
4	80013502	Spacer, Hammer (Long)	6
6	92000278	Hammer, (Set of 15)	1
7	BOLT-1/4x1-1/2	Bolt, 1/4"-20 x 1 1/2", Zinc Plated Hex Head	3
8	BOLT-1/4x3/4	Bolt, 1/4"-20 x 3/4", Zinc Plated Hex Head	3
9	SDx1-3/8	BUSHING-QD, SD, 1-3/8	1

ITEM NO.	PART NUMBER	DESCRIPTION	QTY.
2	2A1182	Pin, Hammer Assembly	3
3	2A1183	Spacer, Mill Blade	12
4	2A1245	Clip, Pin Retainer	3
5	2A716	Hammer, HD (Set of 15)	15
6	BOLT-1/4x1-1/2	Bolt, 1/4"-20 x 1 1/2", Zinc Plated Hex Head	3
7	BOLT-1/4x3/4	Bolt, 1/4"-20 x 3/4", Zinc Plated Hex Head	3
8	SDx1-5/8	BUSHING-QD, SD, 1-5/8	1
9	47023412	Bolt, 1/4"-28 x 1/2" Grade 5, Zinc Plated Hex Head	3