

TRUCK FEATURES

STANDARD EQUIPMENT

Iron Phosphate Battery Technology
Battery 80V • 21.6 kWh • 540Ah
Charger 80V • 200A
Dual 80V AC Drive Motors
Regenerative Braking
LED Lights (Front • Rear • Strobe)
LCD Display
4-Way Hydraulic Valve
Rear Grab-Handle with Horn
Rearview Mirrors

STANDARD SAFETY FEATURES

Cornering Speed Reduction
Ramp Hold Assist
Operator Presence Sensor (OPS)
Orange Seatbelt with Interlock

OPTIONAL EQUIPMENT

Battery 80V • 43.2 kWh • 270Ah
Universal 110V Wall Charger
Charger 80V • 100A
Single AC Drive Motors (ECB25 only)
Grammer® Suspension Seat
Fingertip Controls
Dual Joystick Controls
Synchronized Steering
Blue Light
Rear Working Light
Full or Partial Cab Enclosure



BYD Motors LLC

1800 S Figueroa St., Los Angeles, CA 90015

BYD Forklift production site is certified:

ISO 9001 ISO 14001 OHSAS 18001



1-800-293-2886



sales@byd-forklifts.com



www.byd-forklifts.com



BYD trucks conform to the
United States Safety Requirements
All BYD forklifts comply with ANSI B56.1

FORKLIFTS SIMPLIFIED

ECB25/27



SAFE



RELIABLE



PROVEN

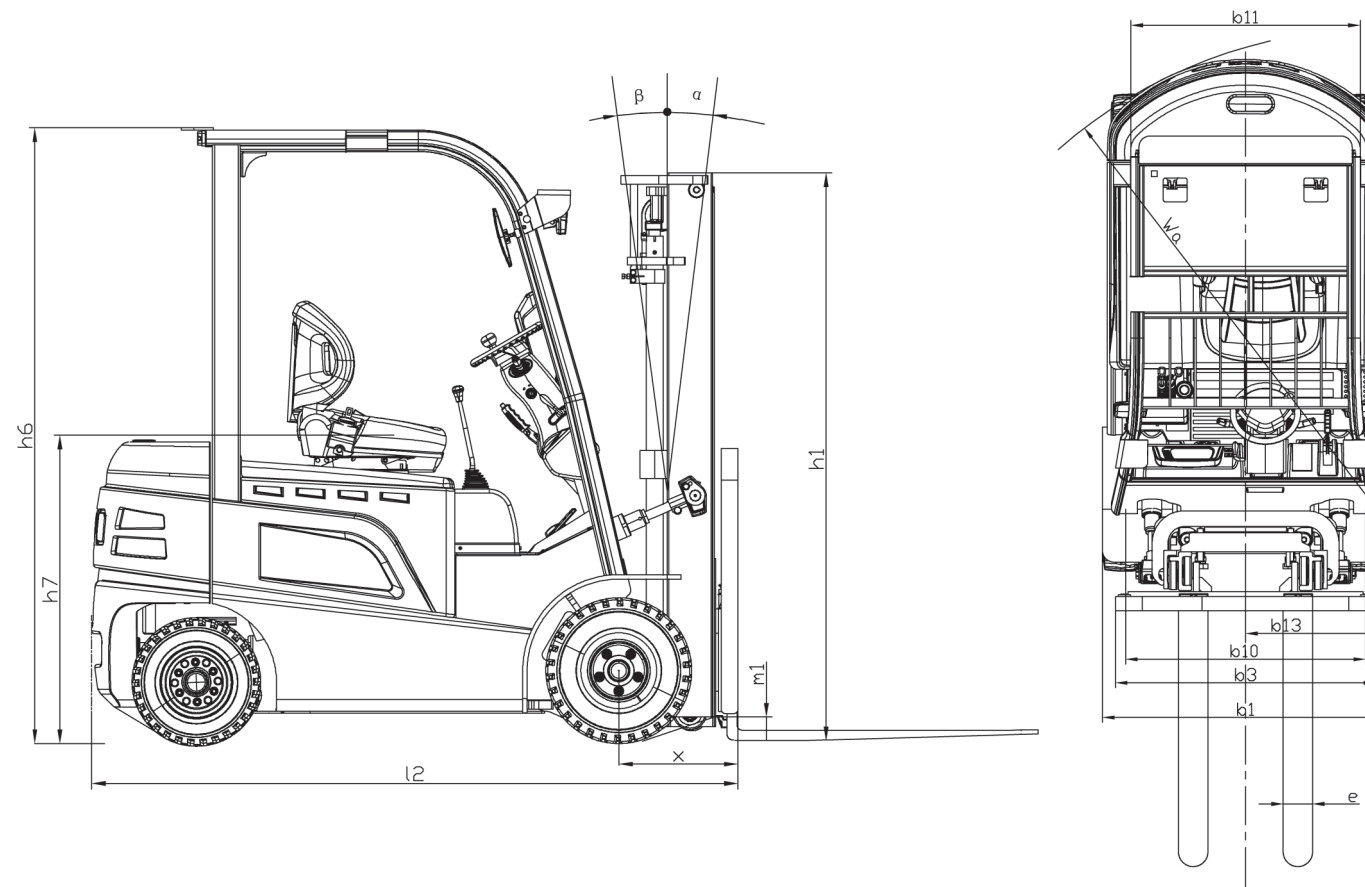
- 80V AC Technology
- Rapid, Restriction-Free Charging
- No Battery Maintenance Required
- 10-Year or 20,000-Hour Battery Warranty



With rapid, restriction-free charging, BYD forklifts operate across multiple shifts without the need to change or replace batteries. Built using iron-phosphate technology, each forklift includes a state-of-the-art Battery Management System and the longest battery warranty in the industry. With BYD, peace of mind is assured.

ECB25/27 SPECIFICATIONS

			ECB25	ECB27
	Load capacity: rated load to 118" @ 24" LC	lb	5400	6000
	Operating voltage	v	80 volts	80 volts
Dimensions	Length to face of forks	l2	in 90.75	92.60
	Minimum turning radius	Wa	in 79.53	81.6
	Load distance, center wheel to face of forks	x	in 16.7	16.73
	Basic right-angle stack (add load and clearance)		in 96.3	98.33
	Overall width	b1	in 47.05	47.05
	Seat height	h7	in 43.3	43.3
	Overhead guard height	h6	in 86.4	86.4
	Carriage width	b3	in 42.72	45.00
	Carriage ITA Type		II	III
	Tilt range (forward/backward)	deg	5/8	5/8
	Ground clearance with load, below mast	m1	in 3.74	3.74
Performance	Travel speed (loaded/unloaded)	MPH	12.43 / 12.43	12.43 / 12.43
	Lift speed (loaded/unloaded)	FPM	82 / 109	83 / 89
	Lowering speed (loaded/unloaded)	FPM	98 / 78	100 / 78
	Max gradeability (loaded/unloaded)	%	20 / 20	20 / 20
Power System	Drive motor rating (S2=60 min)	KW	8 x 2	8 x 2
	Lift motor rating (S3=15% ED)	KW	20.7	20.7
	Battery capacity	KWh	21.7 / 43.2	21.7 / 43.3
	Charging time		1.3h / 2.6h	1.3h / 2.6h
	Battery weight	lb	1852.0	1852.0
	Type of drive control		AC	AC
Weight	Service weight including battery	lb	9261	9923
	Axle load, fully loaded (front/rear)	lb	12813 / 1960	13812 / 2064
	Axle load, unloaded (front/rear)	lb	3913 / 5346	3803 / 6118
Tires	Wheel size, front wheel or driving wheel	Spec	21*8-9	21*8-15"
	Wheel size, rear wheel or supporting wheel	Spec	18*7-8	18 x 6 x 12.125"
	Track width front	b10	in 39.37	39.37
	Track width rear	b11	in 37.6	37.99



MAST SPECIFICATIONS

Mast Specifications (in)	Fork Height	Free Lift	Collapsed Height	Extended Height	Fwd Tilt	Back Tilt	Capacity 24" LC	
							ECB25	ECB27
2-Stage Standard Mast	118	6	80	157	5°	8°	5401	5952
	130	6	86	169	5°	8°	5247	5886
	138	6	90	177	5°	8°	5159	5776
	157	6	102	196	5°	8°	4872	5490
	177	6	111	216	5°	5°	4586	5203
	197	6	123	236	5°	5°	4365	4674
2-Stage FFL Mast	118	42	81	157	5°	8°	5401	5952
	130	48	87	169	5°	8°	5247	5886
	138	52	91	177	5°	8°	5159	5776
	157	62	101	196	5°	8°	4872	5490
3-stage FFL Mast	157	37	76	196	5°	5°	4872	5490
	177	43	82	216	5°	5°	4797	5154
	189	47	86	228	5°	5°	4663	5011
	197	49	88	236	5°	5°	4312	4623
	217	57	96	256	5°	5°	4094	4392
	236	66	105	275	5°	5°	3887	4174
	256	72	111	295	5°	3°	2690	2677

*BYD reserves the right to alter and modify the design, features and technical parameters of its products at any given time and without prior notice, as products are subject to continuous development.