

TRUCK FEATURES

STANDARD EQUIPMENT

Iron Phosphate Battery Technology
Battery 80V • 43.2 kWh • 540Ah
Charger 80V • 200A
80V AC Drive Motor
Regenerative Braking
LED Lights (Front • Rear • Strobe)
LCD Display
4-Way Hydraulic Valve
Rear Grab-Handle with Horn
Rearview Mirrors

STANDARD SAFETY FEATURES

Cornering Speed Reduction
Ramp Hold Assist
Operator Presence Sensor (OPS)
Orange Seatbelt with Interlock

OPTIONAL EQUIPMENT

Battery 80V • 21.6 kWh • 270Ah
Grammer® Suspension Seat
Universal 110V Wall Charger
Charger 80V • 100A
Dual AC Drive Motors
Fingertip Controls
Dual Joystick Controls
Synchronized Steering
Blue Light
Rear Working Light
Full or Partial Cab Enclosure



BYD Motors LLC

1800 S Figueroa St., Los Angeles, CA 90015



1-800-293-2886



sales@byd-forklifts.com



www.byd-forklifts.com

BYD Forklift production site is certified:

ISO 9001 ISO 14001 OHSAS 18001



BYD trucks conform to the
United States Safety Requirements
All BYD forklifts comply with ANSI B56.1

FORKLIFTS SIMPLIFIED

ECB35



SAFE



RELIABLE



PROVEN

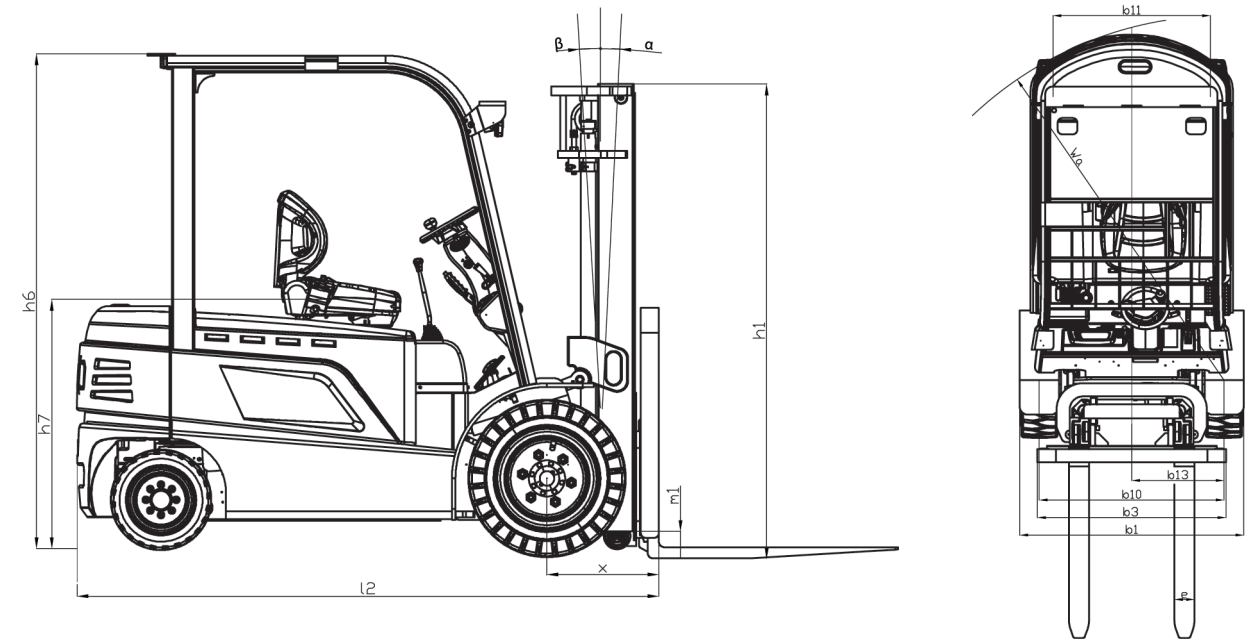
- 80V AC Technology
- Rapid, Restriction-Free Charging
- No Battery Maintenance Required
- 10-Year or 20,000-Hour Battery Warranty



With rapid, restriction-free charging, BYD forklifts operate across multiple shifts without the need to change or replace batteries. Built using iron-phosphate technology, each forklift includes a state-of-the-art Battery Management System and the longest battery warranty in the industry. With BYD, peace of mind is assured.

ECB35 SPECIFICATIONS

ECB35				
	Load capacity: rated load to 118" @ 24" LC		lb	7550
	Operating voltage		v	80 volts
Dimensions	Length to face of forks	l2	in	100.79
	Minimum turning radius	Wa	in	87.0
	Load distance, center wheel to face of forks	x	in	18.1
	Basic right-angle stack (add load and clearance)		in	105.11
	Overall width	b1	in	53.5
	Seat height	h7	in	44.9
	Overhead guard height	h6	in	87.2
	Carriage width	b3	in	45.00
	Carriage ITA Type			III
	Tilt range (forward/backward)		deg	5/8
	Ground clearance with load, below mast	m1	in	4.33
Performance	Travel speed (loaded/unloaded)		MPH	12.43 / 12.43
	Lift speed (loaded/unloaded)		FPM	75 / 89
	Lowering speed (loaded/unloaded)		FPM	108 / 89
	Max gradeability (loaded/unloaded)		%	20 / 20
Power System	Drive motor rating (S2=60 min)		KW	10 x 2
	Lift motor rating (S3=15% ED)		KW	24.00
	Battery capacity		KWh	21.7 / 43.4
	Charging time			1.3h / 2.6h
	Battery weight		lb	1852.0
	Type of drive control			AC
Weight	Service weight including battery		lb	11995
	Axle load, fully loaded (front/rear)		lb	17027 / 2686
	Axle load, unloaded (front/rear)		lb	5014 / 6981
Tires	Wheel size, front wheel or driving wheel		Spec	23*10-12
	Wheel size, rear wheel or supporting wheel		Spec	200 / 50-10
	Track width front	b10	in	43.7
	Track width rear	b11	in	37.6



MAST SPECIFICATIONS

Mast Specifications (in)	Fork Height	Free Lift	Collapsed Height	Extended Height	Fwd Tilt	Back Tilt	Capacity 24" LC
							ECB35
2-Stage Standard Mast	118	5	83	157	5°	8°	7562
	130	5	89	169	5°	8°	7341
	138	5	93	177	5°	8°	7209
	146	5	97	185	5°	8°	7055
	157	5	103	197	5°	8°	6878
	177	5	114	217	5°	6°	6482
	189	5	120	228	5°	6°	6305
	197	5	128	236	5°	6°	6217
	217	5	136	256	5°	6°	5930
2-Stage FFL Mast	236	5	146	276	5°	6°	5644
	118	44	83	157	5°	8°	7562
	130	49	89	169	5°	8°	7341
	138	53	93	177	5°	8°	7209
3-stage FFL Mast	157	63	103	197	5°	8°	6878
	157	43	82	197	5°	6°	6878
	171	47	87	211	5°	6°	6570
	177	49	89	217	5°	6°	6834
	189	53	93	228	5°	6°	6596
	197	56	95	236	5°	6°	6217
	209	60	99	248	5°	6°	6019
	217	62	102	256	5°	6°	5908
	236	69	108	276	5°	6°	5644
256	75	115	295	5°	3°	5291	

*BYD reserves the right to alter and modify the design, features and technical parameters of its products at any given time and without prior notice, as products are subject to continuous development.