

# GTX GEX

**16/18/20s**  
3-WHEEL/4-WHEEL

ELECTRIC 36 or 48 VOLT  
3200 / 3600 / 4000 lbs.  
(1600 / 1800 / 2000 kg)



**CLARK**<sup>®</sup>  
**THE FORKLIFT**



- Solid pneumatic tires provide a softer ride and allow for indoor/outdoor operation.

- The low step height means frequent entry and exit is easy and less tiring for the operator.



### Highly Maneuverable, Easily Serviceable, Broadly Flexible, Extremely Dependable

In the past, one truck would be used for outdoor applications and another truck would be used for indoor warehousing. Now one pneumatic tire GTX 3-wheel or GEX 4-wheel can handle both environments, leaving you with the thought... two “hands” aren’t always better than one.

# 90°

The 90° turn steer axle on the **GTX** allows for the tightest turn in the industry. Having the pivot point centered between both drive wheels while using dual motors, the GTX provides the tightest possible turn radius.

- Dual reversing drive motors and zero turn steer axle on the **GEX** allow right angle stacking similar to that of a cushion tire electric. Solid Pneumatic tires plus enclosed motors and sealed controls allow the truck to operate outdoors as well, making the GTX or GEX an excellent indoor/outdoor truck.

**Maximum Visibility + Minimum Fatigue =  
Increased Safety & Product Integrity**



*shown with optional equipment*

- Standard hydraulic levers are conveniently mounted on the hood, beside the operator for comfortable, effortless access. Optional armrest controls are also available.



***& Don't Forget...  
Safety Starts With You!***

**Before operating a lift truck, an operator must:**

- Be trained and authorized
- Read and understand operator's manual
- Not operate a faulty lift truck
- Not repair a lift truck unless trained and authorized
- Have the overhead guard and load backrest extension in place
- Perform daily inspections

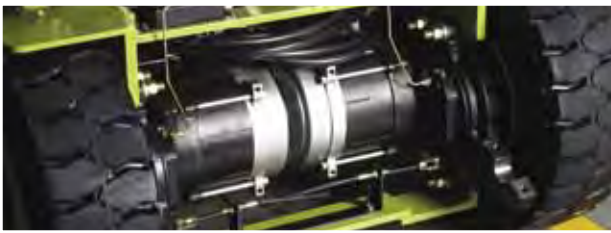
**During operation, a lift truck operator must:**

- Wear a seat belt
- Keep entire body inside truck cab
- Never carry passengers or lift people
- Keep truck away from people and obstructions
- Travel with lift mechanism as low as possible and tilted back
- Allow safe stopping distance and come to a complete stop before leaving operator compartment

**To park a lift truck, an operator must:**

- Completely lower forks or attachments
- Shift into neutral
- Turn key off
- Set parking brake

# GTX/GEX STANDARD FEATURES & BENEFITS



## HEAVY DUTY AC DRIVE MOTORS & AXLES

### ■ Fewer Parts & Minimum Wear = Less Downtime and Cost = Higher ROI

- Enclosed • Brushless • Thermal protection
- Stall protection • Suitable for wet applications
- Dual/powering reversing for tight turns
- Same motors for E & EE

## REGEN & WET DISC BRAKES

### ■ Three Forms of Regen Brake

- Accelerator release. (Proportional to accelerator position)
- Change of direction. (Proportional to accelerator position)
- Service brake. (Foot Brake)

### ■ Wet Disc Brakes

- Enclosed and oil cooled for smooth, quiet operation.
- Built with long life lining material.
- Less downtime.



## 100% AC SYSTEM

### ■ High Performance

- Rivals IC truck performance in speed, acceleration and gradeability.

### ■ Battery Capacity

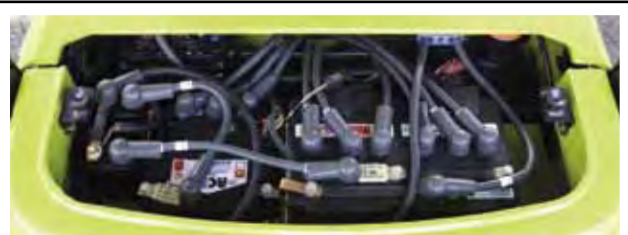
- GTX/GEX 16 can accommodate 22.9 kwh battery.
- GTX/GEX 18/20s can accommodate 26.8 kwh battery.

## Standard Equipment

- Wet Disc Brakes
- Single Aux Valve
- Tilt Steer Column
- 90° Steer Axle GTX
- 101° Steer Axle GEX
- Regenerative Braking
- Solid Pneumatic Tires
- Hood Mounted Levers
- Vinyl Full Suspension Seat
- Hydrostatic Power Steering
- Power Reversing Drive Motors
- OHG Mounted 12 Volt Head Lights
- Programmable, LCD Dash Display
- 100% AC (drive and pump control)

## Optional Equipment

- Side battery removal w/ Rollers
- 2 & 3 Stage uprights
- Sideshifters
- EE Construction
- Armrest Controls
- Double Aux Valves
- Non-Marking Tires
- Cold Storage with Heaters
- Lights and Backup Alarms
- Cloth Full Suspension Seat



## EASILY SERVICED

- The rear control cover is held in place by two knobs for easy service access from a standing position. On board diagnostics allow servicing mechanic to check fault codes without service tool.



## RUGGED UPRIGHT AND CARRIAGE

### ■ Hydraulic Cushioning Valves

- Silent Staging Reduces Shock & Vibration.

### ■ Nested I-channel Upright Rails



## STABLE PLATFORM

### ■ Low Center of Gravity

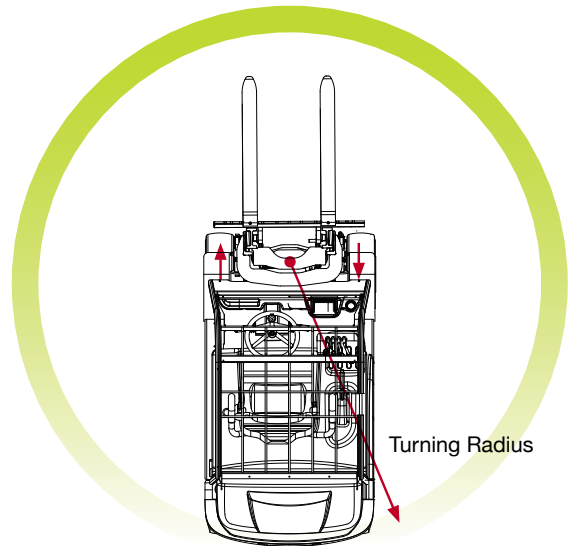
- CLARK moved back the steer axle, dropped the battery compartment, and moved all major components lower.

### ■ Curve Cutback

- Reduces truck travel speed in turns.

### ■ Wide Stance

- Provides excellent lateral stability.



## POWERED REVERSING DRIVE MOTORS & ZERO TURN STEER AXLE (on GEX)

### ■ Pivot Point Between Drive Tires

- Zero turn steer axle provides the tightest possible turning radius.

### ■ Independent 2-Wheel Drive

- Provides added traction, especially on wet or uneven surfaces.

### ■ Will Not Scuff Tires

- Inside wheel power reverses in tight turn preventing scuffing of steer tires like conventional 4-wheel trucks.

### ■ Hall Effect Steer Sensor

- Relays steer tire position to controller.



## INTERACTIVE LCD DASH DISPLAY

### ■ Fully Adjustable/Programmable

- The operator can select from 4 pre-set performance modes.
- Additional adjustments can be made to maximize performance in certain operations.

### ■ Alarm codes

- Indicates the current alarm code and stores previous alarm codes for quick access.

### ■ Password Protected

- Certain adjustments are password protected to allow only authorized operators to make adjustments.

# GENERAL DATA & STANDARD DIMENSIONS

## Upright Table

Maximum Fork Height		Overall Height Lowered		Free Lift		Standard Tilt Spec
in	mm	in	mm	in	mm	B°/F°
<b>Standard Two Stage - GTX / GEX 16/18/20s</b>						
82	(2085)	61	(1560)	5.2	(132)	3/6
102	(2585)	71	(1810)	5.2	(132)	6/6
110	(2785)	75	(1905)	5.2	(132)	6/6
• 121	(3085)	81	(2060)	5.2	(132)	6/6
133	(3385)	87	(2205)	5.2	(132)	6/6
141	(3585)	91	(2310)	5.2	(132)	6/6
149	(3795)	95	(2415)	5.2	(132)	6/6
160	(4075)	101	(2555)	5.2	(132)	6/6
181	(4585)	119	(3010)	5.2	(132)	6/6
200	(5085)	128	(3260)	5.2	(132)	3/3
<b>Triple Stage - GTX / GEX 16/18/20s</b>						
156	(3970)	72	(1835)	24	(597)	6/6
171	(4345)	77	(1960)	28	(722)	6/6
• 188	(4780)	83	(2165)	34	(867)	6/6
204	(5185)	89	(2255)	40	(1017)	3/3
219	(5565)	95	(2415)	46	(1177)	3/3
226	(5740)	98	(2480)	49	(1242)	3/3
237	(6015)	103	(2605)	54	(1377)	3/3
255	(6470)	110	(2795)	61	(1557)	3/3
279	(7075)	120	(3050)	71	(1812)	3/3
<b>Hi-Lo - GTX / GEX 16/18/20s</b>						
• 115	(2925)	77	(1960)	28	(722)	3/6
127	(3215)	83	(2105)	34	(867)	3/6
138	(3515)	89	(2255)	40	(1017)	3/6
145	(3695)	92	(2345)	44	(1107)	3/6
150	(3810)	95	(2415)	46	(1177)	3/6

• Indicates preferred standard sizes. For overall height raised with load backrest, add 48 in. (1220 mm) to maximum fork height. Other uprights available. Contact a CLARK representative. Free lift shown w/ 48" LBR.

## Tilt Specifications\*

Upright MFH (in / mm)	Tilt Angle B° / F°
Standard upright 82 in. (2085 mm)	3°B / 6°F
Hi-Lo uprights thru 150 in. (3810 mm)	3°B / 6°F
Standard 102 in. (2585 mm) thru 181 in. (4585 mm)	6°B / 6°F
and TSU 156 in. (3970mm) thru 188 in. (4780 mm)	3°B / 3°F
Standard 200 in. (5085 mm)	
and TSU 204 in. (5185 mm) thru 279 in. (7075mm)	

\* Standard tilt with MFH's noted. Contact CLARK representative for information on optional tilt.

## Notes

Performance may vary +5% and -10% due to motor and systems efficiency tolerance. The performance shown represents nominal values which may be obtained under typical operating conditions of a standard machine.

## ANSI/ITSDF and Insurance Classification

Standard truck meets all applicable mandatory requirements of Part III-ANSI/ITSDF B56.1 Safety Standard for Powered Industrial Trucks (latest edition at time of manufacture) and Underwriters Laboratories requirements as to fire and electrical shock hazard only for "E" classification. For further information contact a CLARK representative.

Users should be aware of, and adhere to, applicable codes and regulations regarding operator training, use, operation and maintenance of powered industrial trucks, including:

- ANSI/ITSDF B56.1
- NFPA 505, fire safety standard for powered industrial trucks - type designations, areas of use, maintenance and operation.
- Occupational Safety and Health Administration (OSHA) regulations that may apply.

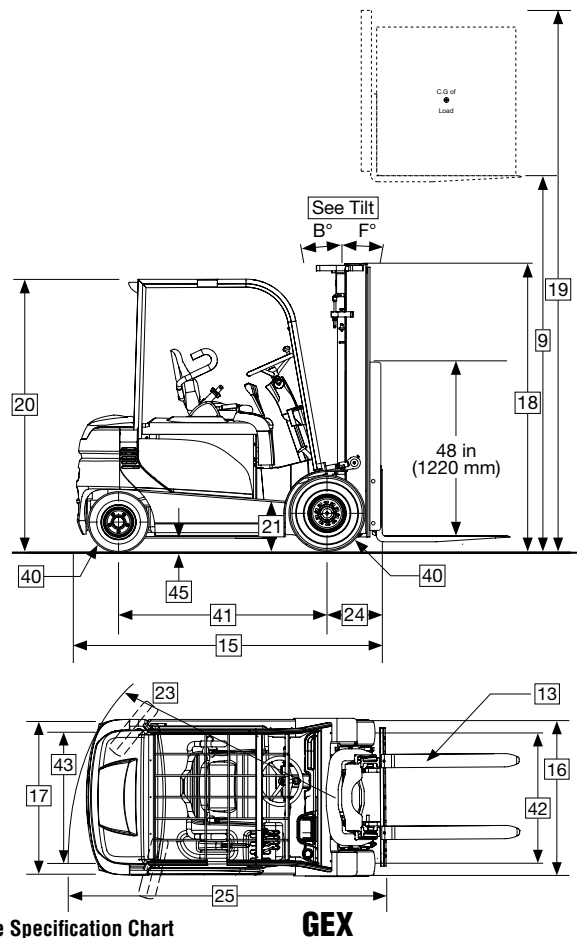
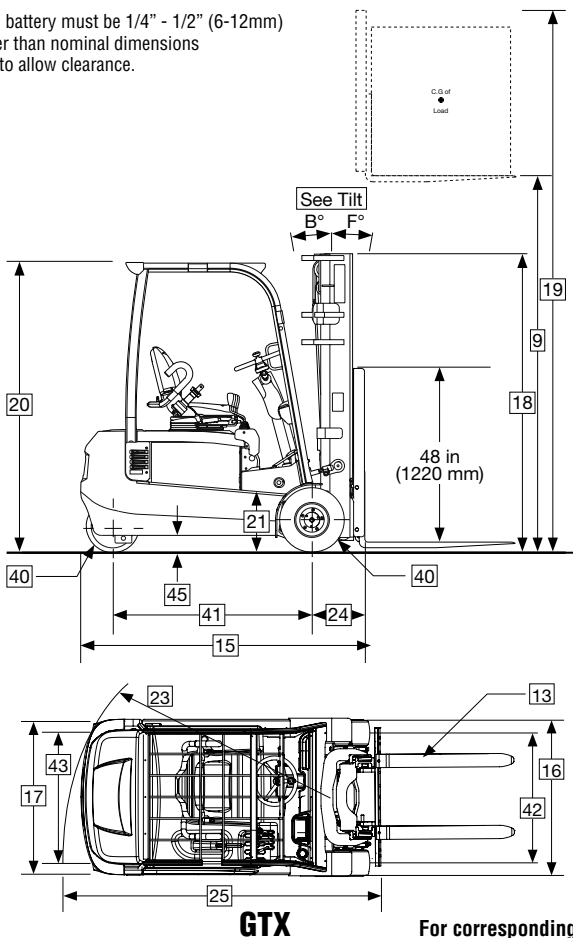
Contact your authorized CLARK forklift truck dealer for further information including operator training programs and auxiliary visual and audible warning systems, fire extinguishers, etc., as available for specific user applications and requirements.

Specifications, equipment, technical data, photos and illustrations are based on information at time of printing and are subject to change without notice. Some products may be shown with optional equipment.

## Nominal Battery Compartment Dimensions

	Width (W)		Length (L)		Height (H)		Weight	
	in	mm	in	mm	in	mm	lbs	kg
<b>GTX / GEX 16</b>	32.9	(836)	20.8	(528)	25.5	(648)	1482	(672)
<b>GTX / GEX 18/20s</b>	32.9	(836)	25.0	(636)	25.5	(648)	1793	(813)

\*Actual battery must be 1/4" - 1/2" (6-12mm) smaller than nominal dimensions listed to allow clearance.



For corresponding data see Specification Chart

# STANDARD SPECIFICATIONS

# GTX/GEX 16/18/20s

1	Manufacturer			CLARK	CLARK	CLARK	
<b>General Information</b>	2	Model	Manufacturer's Designation	GTX16   GEX16	GTX18   GEX18	GTX20s   GEX 20s	
	3	Load Capacity		lbs(kg)	3200 (1600)	3600 (1800)	4000 (2000)
	4	Load Center	Fork Face to Load CG	in(mm)	24 (500)	24 (500)	24 (500)
	5	Power Unit	Electric		36 / 48 volt	36 / 48 volt	36 / 48 volt
	6	Operator Type			Rider Counterbalanced	Rider Counterbalanced	Rider Counterbalanced
	7	Tire Type			Solid Pneumatic	Solid Pneumatic	Solid Pneumatic
	8	Wheels (x=driven)	Front/Rear		2X / 2	2X / 2	2X / 2
	<b>Basic Dimensions</b>	9	Upright <sup>1</sup>	Maximum Lift Height, Full Capacity	in(mm)	171 (4345)	156 (3970)
10			Lift Height (Preferred Upright)	in(mm)	188 (4780)	188 (4780)	188 (4780)
11			Freelift w/ LBR	in(mm)	34 (867)	34 (867)	34 (867)
12		Upright Tilt	Back/Forward (Triple Stage Upright)	degrees	6 / 6	6 / 6	6 / 6
13		Fork	Std. Fork Size (T x W x L)	in(mm)	1.4 x 4 x 42 (35 x 100 x 1067)	1.4 x 4 x 42 (35 x 100 x 1067)	1.5 x 4 x 42 (40 x 100 x 1070)
14		Carriage	Width of Carriage	in(mm)	37 (940)	37 (940)	37 (940)
15		Overall Dimensions	Length to Fork Face (TSU) <sup>2</sup>	in(mm)	74.6 (1896)   77.8 (1976)	78.9 (2004)   82.0 (2084)	80.7 (2049)   82.2 (2089)
16			Width Over Tires	in(mm)	41.7 (1059)	41.7 (1059)	44.2 (1122)
17			Width Over Frame	in(mm)	43.5 (1105)	43.5 (1105)	45.1 (1146)
18			Height, Upright Lowered	in(mm)	83 (2165)	83 (2165)	83 (2165)
19			Height, Upright Extended w/ LBR	in(mm)	236 (5994)	236 (5994)	236 (5994)
20			Height, Overhead Guard	in(mm)	81.3 (2066)   80.9 (2055)	81.3 (2066)   80.9 (2055)	81.3 (2066)   81.1 (2059)
21		Step Height	Ground to Top of Step	in(mm)	16.4 (416)	16.4 (416)	16.4 (416)
22							
23	Turning Radius		in(mm)	60.6 (1540)   63.8 (1620)	64.9 (1648)   68.0 (1728)	66.5 (1688)   68.0 (1728)	
24	Load Center Distance	Center of Drive Axle to Fork Face <sup>2</sup>	in(mm)	14.0 (356)	14.0 (356)	14.2 (361)	
25	Right Angle Stack Aisle	Add Load Length and Clearance <sup>2</sup>	in(mm)	74.6 (1895)   77.8 (1976)	78.9 (2004)   82.0 (2084)	80.7 (2050)   82.2 (2089)	
26							
<b>Performance</b>	27	Stability	According to ANSI		Yes	Yes	Yes
	28	Speeds	Travel Speed, Max, With Load	mph(kph)	9.3 (15) / 9.3 (15)	9.3 (15) / 9.3 (15)	9.3 (15) / 9.3 (15)
	29		Travel Speed, Max, Without Load	mph(kph)	9.3 (15) / 9.9 (16)	9.3 (15) / 9.9 (16)	9.3 (15) / 9.9 (16)
	30	Lift Speeds, Loaded	Triple Stage Upright	fpm(mps)	79 (.40) / 79 (.40)	73 (.37) / 73 (.37)	55 (.28) / 69 (.35)
	31	Lift Speeds, Unloaded	Triple Stage Upright	fpm(mps)	98 (.50) / 98 (.50)	98 (.50) / 98 (.50)	97 (.49) / 98 (.50)
	32	Lower Speeds, Loaded	Triple Stage Upright	fpm(mps)	112 (0.57)	112 (0.57)	112 (0.57)
	33	Lower Speeds, Unloaded	Triple Stage Upright	fpm(mps)	102 (0.52)	102 (0.52)	102 (0.52)
<b>Weights<sup>3</sup></b>	34	Service Weight, TSU	W/Min Battery Weight	lbs(kg)	7128 (3233)   7306 (3314)	7419 (3365)   7534 (3417)	7842 (3557)   7917 (3591)
	35	Axle loading	With Load, Front	lbs(kg)	9450 (4286)   9207 (4176)	10024 (4547)   9859 (4472)	10774 (4887)   10703 (4855)
	36		With Load, Rear	lbs(kg)	878 (398)   1300 (590)	995 (451)   1275 (578)	1068 (484)   1214 (551)
	37		W/O Load, Front	lbs(kg)	3843 (1743)   3600 (1633)	3923 (1779)   3758 (1705)	3980 (1805)   3910 (1774)
	38		W/O Load, Rear	lbs(kg)	3285 (1491)   3706 (1681)	3496 (1586)   3776 (1713)	3862 (1752)   4007 (1818)
<b>Chassis</b>	39	Tires	Number, Front/Rear		2 / 2	2 / 2	2 / 2
	40		Size, Front		18 x 7-8	18 x 7-8	200/50-10
			Size, Rear		15 x 4.5-8	15 x 4.5-8	15 x 4.5-8
	41	Wheelbase		in(mm)	51.7 (1312)	55.9 (1420)	55.9 (1420)
	42	Track	Front	in(mm)	35.6 (905)	35.6 (905)	36.0 (915)
	43		Rear	in(mm)	7.6 (194)   34.3 (870)	7.6 (194)   34.3 (870)	7.6 (194)   34.3 (870)
	44	Ground Clearance	Min w/Load	in(mm)	3.3 (85)	3.3 (85)	3.3 (85)
	45		At Center of Wheelbase, Loaded	in(mm)	3.9 (100)   3.3 (84)	3.9 (100)   3.3 (84)	3.9 (100)   3.4 (87)
	46	Service Brake	Type		Regenerative / Wet-Disk	Regenerative / Wet-Disk	Regenerative / Wet-Disk
	47	Parking Brake	Type		Hand Operated	Hand Operated	Hand Operated
	Steering	Type		Hydrostatic	Hydrostatic	Hydrostatic	
<b>Drive Line</b>	48	Battery	Type		Lead-Acid	Lead-Acid	Lead-Acid
			Max Capacity (6 hr. Rate, 36V)	kWh	22.9	26.8	26.8
			Weight, Min	lbs(kg)	1482 (672)	1793 (813)	1793 (813)
	49	Motors, Controls	Drive Motor, Diameter (Dual)	in(mm)	7.9 (200)	7.9 (200)	7.9 (200)
			Hydraulic Motor, Diameter	in(mm)	6.7 (170)	6.7 (170)	6.7 (170)
			Drive Motor Control		Inverter	Inverter	Inverter
			Speed Control		Solid State	Solid State	Solid State
		Hydraulic Motor Control		Inverter	Inverter	Inverter	
57	Hydraulic Pressure			Adjustable	Adjustable	Adjustable	
58	Sound Level	Avg. at Operator's Ear Per ANSI B56.11.5	dB(A)	72	72	72	

- Notes: 1 See upright table for other available uprights.  
 2 Dimensions are for TSU uprights, other uprights will have different dimensions.  
 3 Specifications are given with preferred triple stage upright and minimum battery weight.

- We don't just build forklifts. As a company, we are also focused on providing our customers with the best possible technical service support and aftermarket parts available.
- Even though our business starts with a quality, cost-effective product, our organization understands that it is the support and services we provide after the sale that help keep your business running at peak efficiency.
- **THE CLARK PartsPRO® SYSTEM** is our industry-leading electronic parts and service documentation tool that provides dealers with a quick and accurate method of identifying parts for every CLARK forklift built since 1961. PartsPRO® ensures the availability of the most current technical information and has the unique capability to create parts manuals specific to your mixed CLARK fleet, making it simple to positively identify and order the correct part(s) from your local CLARK dealer. The right CLARK part — The First Time, Every Time.
- **UNRIVALED PARTS SUPPORT** Our Aftermarket Distribution Center provides parts to over 250 North American CLARK dealers and many international dealers. This CLARK operated 184,000 square foot facility is dedicated to supporting the CLARK models built over the last 90 years. This facility is focused on providing excellent off-the-shelf availability, quality parts, quick response time and competitive pricing.

**DEPENDABLE PARTS = DEPENDABLE TRUCKS**

To Find Your Nearest Authorized CLARK Dealer, Visit Our Website [www.clarkmhc.com](http://www.clarkmhc.com)



**BUILT TO LAST.®**



**CLARK MATERIAL HANDLING COMPANY**

North American Headquarters  
700 Enterprise Drive • Lexington, KY 40510  
866-252-5275 • [www.clarkmhc.com](http://www.clarkmhc.com)

**GTX/GEX 16/18/20s**  
59-894-0992 Printed in USA MP12115M

© 2011 CLARK Material Handling Company